

**Installation instructions Air/ Vacuum Valve model DAV-MH-x-KA/SA**  
(x= valve size in inches)

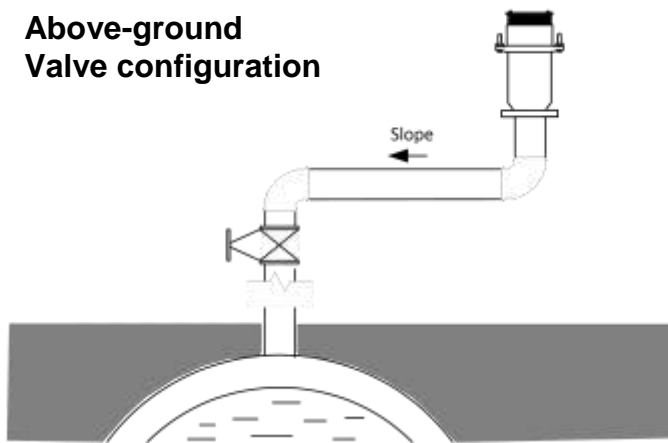
1. The valve must be installed vertically.
2. The outlet from the main pipe should be located at the top of the pipe, and an isolating valve (Gate valve or a flanged-type butterfly valve) assembled on the outlet riser. Riser diameter should not be smaller than the valve's nominal diameter.
3. It is highly recommended (although not mandatory) to locate the air valve itself beside the main, as described in the drawing below.
4. In case of underground configuration, it is essential to allow air outlet as drawn below.

The diameter of this outlet must equal or larger than the valve diameter.

A net strainer is recommended to be assembled on this outlet.

Refer to the "SA design tool" for number of unplugged bores

**Above-ground  
Valve configuration**



**Underground  
Valve configuration**

