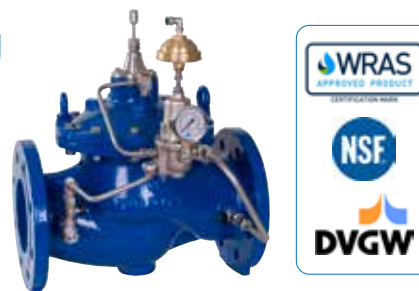


## 30-PRM Dual Set-Point Pressure-Reducing Valve

### Principal of operation

The Dorot Series 300 Dual set-point Pressure-Reducing ('30-PRM') valve, is an automatic, pilot controlled pressure reducing valve. The valve will regulate downstream pressure to one of two set-values. The set-value is selected by an hydraulic command sent to the control-trim of the valve. Both pressure values can be easily adjusted by the user.



### S300 Features

- Superb performance:
  - Regulates at a stable mode, regardless of valve-size, down to near-zero flow. Thus, eliminating the need for a special low flow plug-design (such as 'V-port') or a bypass valve.
  - 'Floating', low-friction internal-trim design, guided by unique LPT® device.
- High reliability:
  - All control ports are fitted with SST sleeves for preventing corrosion-blockage.
  - Pre-shaped reinforced diaphragm – for easier assembly and improved longevity.
- Reduced periodic inspection/maintenance labor:
  - The control-trim is fitted with a self-flushing, inline control-filter.
  - Easy in-situ adjustment and maintenance.
- Versatility:
  - A standard and simple single-chamber valve design, provides smooth operation. Conversion to a double chamber is a patented option.

### Standard Materials

- Body & Cover – Ductile Iron  
Optional – Cast Steel, SST, N.A.B, S.Duplex
- Main Internal – SST (1.5"-6), Coated steel (8"-32")  
Optional – Cast Steel, SST, N.A.B, S.Duplex
- Elastomers – EPDM  
Optional – NBR, Neoprene, Viton or others
- Coating – Polyester, Epoxy / Optional – Halar and others
- Control trim – Brass, PA / Optional – SST316, Duplex

### Purchase Specifications

- The valve will be hydraulic, pilot-operated globe type.
- Face-to-face length dimension meets ISO 5752 Standard.
- The stem will be guided at the top by a replaceable guide bearing and at the bottom by a stainless steel unique LPT® device.
- The valve will regulate any flow within the specified range without the need for a smaller bypass valve or throttling plug.
- All control ports will be corrosion free protected by stainless steel 316 inserts.

### Design Considerations

- The valve should be suited for the maximal flow and allowed Headloss.
- In case upstream pressure may drop below the required set pressure, select a 3-way control pilot.
- Large pressure differentials may cause cavitation damage. Consult Dorot for solutions if such conditions are expected.

### Quick Sizing

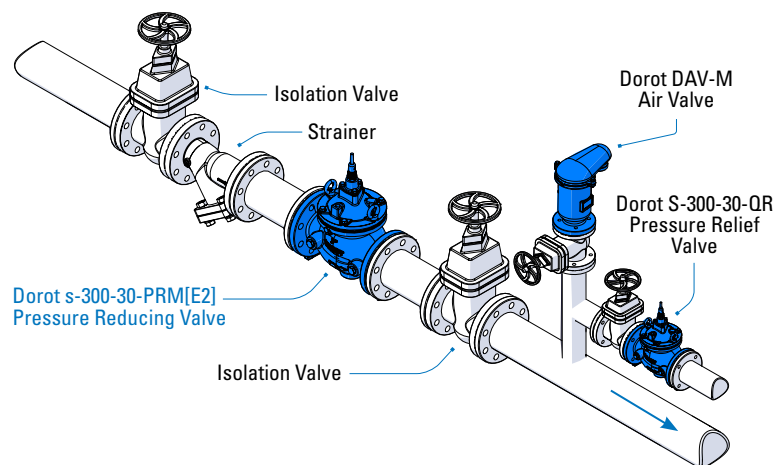
- Valve sized to be the same as line-size or one nominal-size smaller.
- Maximum recommended flow velocity for continuous operation 5.5 m/sec (18 ft. /sec).

### Pressure rating

- Model 30, 30A for medium pressure (PN16 bar / 250 psi)
- Model 31, 31A for high pressure (PN25 bar / 360 psi)

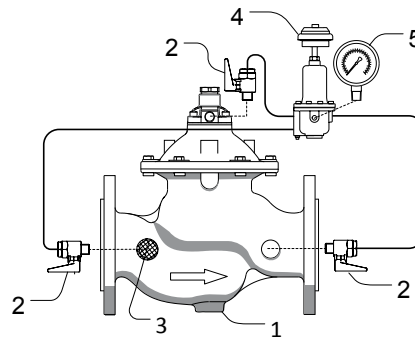
### Typical Installation

Typical applications Includes a Pressure Reducing Valve Model 30-PRM Installation of a Quick Relief Valve, model 30-QR and DAV-M air valve, downstream of the PR Valve is recommended.



### Main Control System Components\*

1. Main Valve
2. Ball valve
3. Self-flushing filter
4. 2W PRM Pilot Valve
5. Pressure Gauge



\* Indicative drawing