

VA-V9-150 (S03)

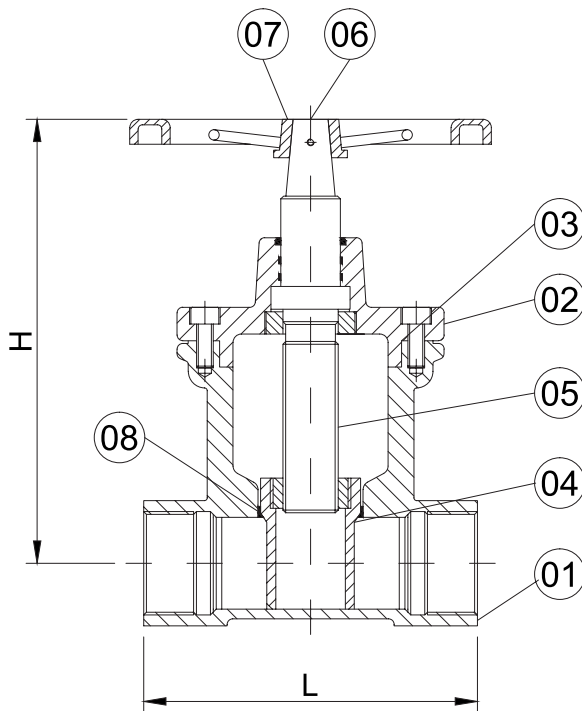
Threaded Gate Valve GAER® PN16

The Gaer® threaded connection valve is used in hydraulic installations, providing reliability and safety. The resilient seat and its rugged construction guarantee long maintenance-free use.

TECHNICAL FEATURES

- Nominal pressure: PN16
- Temperature: -10°C to 120°C
- Connection: BSP female thread.
- Coating: 250 µm epoxy resin.
- Accessories: operating handwheel included

DIMENSIONS



Dimensions	3/4"	1"	1-1/4"	1-1/2"	2"
L (mm)	110	120	120	140	150
H (mm)	152	152	149	200	195



COMPONENTS, MATERIALS AND SPECIFICATIONS

Component	Material	Specifications
Body	Ductile iron GGG-50	1563 EN-JS1040
Cap	Ductile iron GGG-50	1563 EN-JS1040
Gate	Ductile iron GGG-50 with vulcanized EPDM	1563 EN-JS1040
Shaft	Stainless steel AISI-420	Stainless steel BS970 420S37
Shaft ring	Brass CZ 134	2874 CZ 124
Bearing	Brass CZ 134	2874 CZ 124
Screw	Stainless steel AISI-304 with silicone	2874 CZ 124
Ring seals	NBR rubber	Commercial