

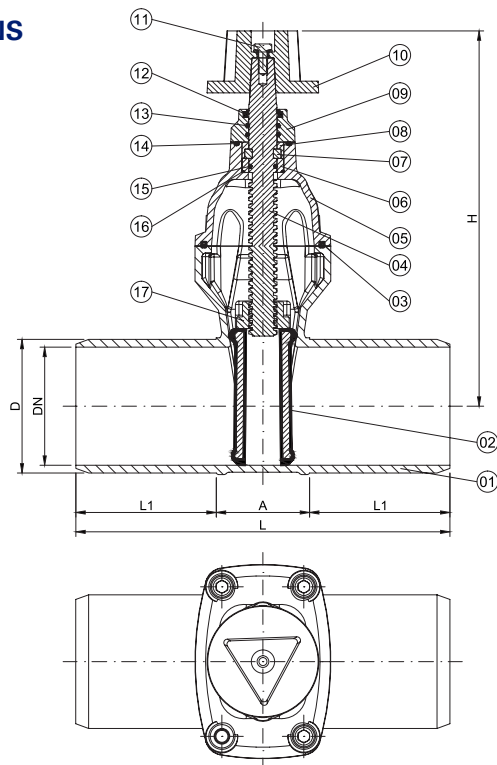
VA-V9-160 (S14)

Smooth-Ended Gate Valve GAER® PN16

TECHNICAL FEATURES

- Nominal pressure: PN16
- Available sizes: DN50 to DN300.
- Temperature: 0°C to 80°C.
- Coating: 250 µm epoxy resin RAL5010.
- Trials and tests: EN1074 / EN12266 / ISO5208
- Connection: flat ends

DIMENSIONS



*Optional: Suitable for drinking water

DN	Dimensions (mm)				
	L	L1	D Ø	A	H
50	232	80	60	72	225
80	292	105	89	82	280
100	320	120	114	88	325
150	400	140	168	120	405
200	462	160	219	141	500
250	490	170	273	150	595
300	550	190	324	170	675



COMPONENTS, MATERIALS AND SPECIFICATIONS

	Component	Material	Specifications
17	Shaft lock nut	CuZn39Pb1	EN 12167
16	Shaft lock nut	NBR	ISO 4633
15	Shaft lock nut	NBR	ISO 4633
14	Shaft lock nut	NBR	ISO 4633
13	Ring seal	NBR	ISO 4633
12	Dust cap	NBR	ISO 4633
11	Screw	A2-70	ASTM A959
10	Square cap	Gw.iO	DIN 1693
9	Gasket	Gw.iO	DIN 1693
8	Push nut	CuZn39Pb1	EN 12167
7	Locking ring	CuZn39Pb1	EN 12167
6	Washer	CuZn39Pb1	EN 12167
5	Cap	GGG50	DIN 1693
4	Shaft	SS420	ASTM A959
3	Cap seal	NBR	ISO 4633
2	Disc	EPDM+GGG50	DIN 1693
1	Body	GGG50	DIN 1693