

## VA-V9-102 S12

# Resilient-Seated Gate Valve Gaer® PN25 F5

Gaer® has taken another step forward in the design of its gate valve, obtaining as a result a rugged, lasting valve with excellent tightness.

Designed for use in distribution of fluids such as water, distribution of gas and neutral fluids in a wide temperature range and according to the elastomer.

Its configuration guarantees complete and directional tightness in its entire range of pressures, with smooth movement of the shaft during its entire travel.

The pitch diameter of this type of valve is equal to the nominal diameter when the valve is in totally open position. In this way minimum load losses are obtained.



## TECHNICAL FEATURES

- **Working pressure:** PN25.
  - **Dimensions:** DN50 to DN300.
  - **Working temperature:** -10°C to 120°C for EPDM and -10°C to 85°C for NBR.
  - **Connection:** Flange.
  - **Coating:** 250 µm epoxy resin RAL5010.
- \*Other materials and specifications on request.

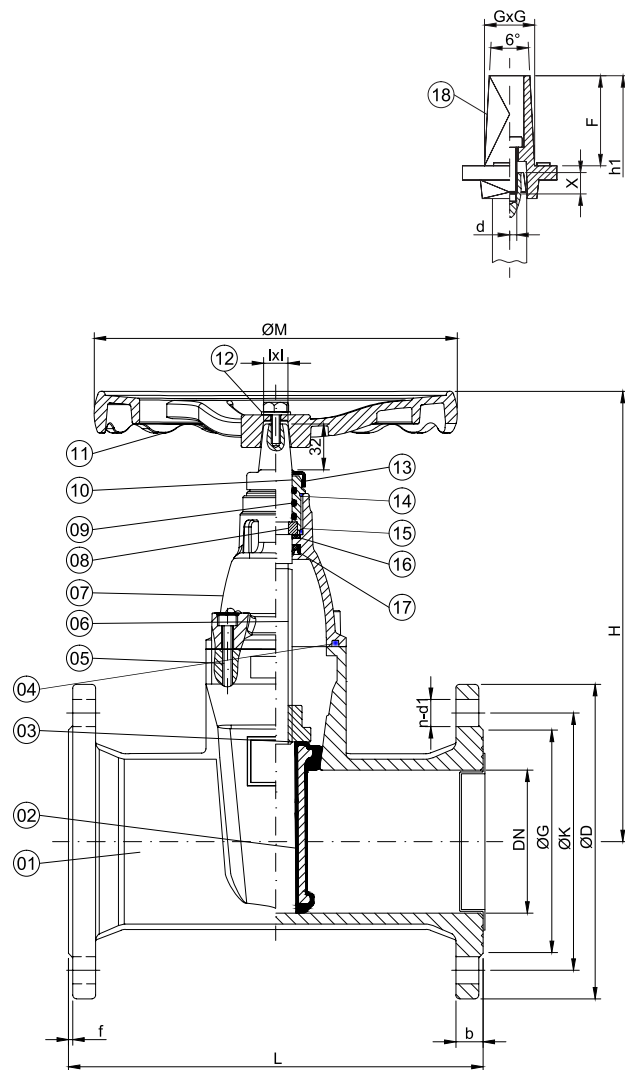
## STANDARDS

- **Design:** DIN 3352-4.
- **Flanges:** EN 1092-2 PN 25.
- **Distance between sides:** EN 558-1 Series 15 (F5).
- **Trials and tests:** EN1074 / EN12266 / ISO5208.
- **Coating:** ISO12944.

# VA-V9-102 S12 Resilient-Seated Gate Valve Gaer® PN25 F5

## COMPONENTS, MATERIALS AND SPECIFICATIONS

	COMPONENT	MATERIAL	SPECIFICATION
1	Body	Ductile iron	ASTM A536 65-45-12(GGG50)
2	Disc	Ductile iron + EPDM	ASTM A536 65-45-12(GGG50)
3	Shaft lock nut	Brass	CuZn39Pb2
4	Cap seal	NBR	UNE-EN 681-1
5	Cap screws	Stainless steel	A2(AISI 304)
6	Shaft	Stainless steel	AISI 420
7	Cap	Ductile iron	ASTM A536 65-45-12(GGG50)
8	Ring seal	NBR	UNE-EN 681-1
9	Ring seal	NBR	UNE-EN 681-1
10	Push nut	Brass	CuZn39Pb2
11	Handwheel	Ductile iron	ASTM A536 65-45-12(GGG50)
12	Screw	Stainless steel	A2(AISI 304)
13	Washer	Stainless steel	A2(AISI 304)
14	Ring seal	NBR	UNE-EN 681-1
15	Ring seal	NBR	UNE-EN 681-1
16	Seal	Nylon 6.6	
17	Automatic ring seal	NBR	UNE-EN 681-1
18	Square cap	Ductile iron	ASTM A536 65-45-12(GGG50)



## MEASUREMENTS AND DIMENSIONS

DN	DIMENSIONS (mm)									Weight (Kg)
	L	H	M	D	K	G	n-d1	b	f	
50	150	260	200	165	125	99	4-19	19	3	12
65	170	270	200	185	145	118	8-19	19	3	18
80	180	280	254	200	160	132	8-19	20.5	3	20
100	190	300	254	235	190	156	8-23	21.5	3	25
125	200	325	315	270	220	184	8-28	21.5	3	34
150	210	350	315	300	250	211	8-28	23	3	45
200	230	400	315	375	320	266	12-28	23	3	68
250	250	450	406	460	385	319	12-32	26	3	134
300	270	500	406	515	450	370	16-32	26	4	156

