

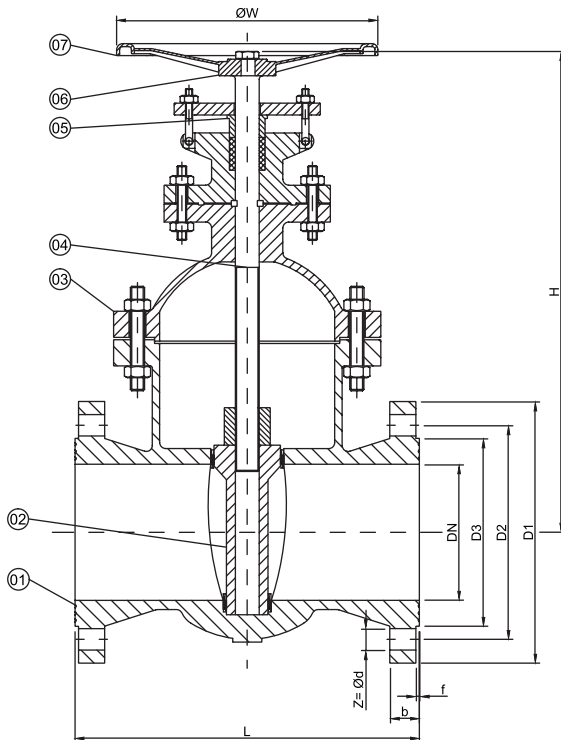
## VA-V9-103 (S04)

# Gaer® PN40 Gate Valve

The Gaer® metal seal gate valve PN40 is a valve designed to work in high pressure water or neutral fluid distribution networks, allowing reliable and wear-resistant operation.

### TECHNICAL FEATURES

- Nominal pressure: PN40
- Temperature: -20°C to 425°C
- Connection: Flange.
- Coating: 250 µm epoxy resin.
- Fluids: drinking water, steam, irrigation water...



### STANDARDS

- **Design and manufacture:** DIN 3352.
- **Distance between sides:** EN 558-1 / Series 15 DIN 3202 F5.
- **Trials and tests:** EN1074 / EN12266 / ISO5208.
- **Flanges:** EN1092-1 PN40



### COMPONENTS, MATERIALS AND SPECIFICATIONS

|   | Component    | Material        | Specifications |
|---|--------------|-----------------|----------------|
| 1 | Body         | Carbon steel    | GS C25 + 13 Cr |
| 2 | Wedge        | Carbon steel    | GS C25         |
| 3 | Cap          | Carbon steel    | GS C25         |
| 4 | Shaft        | Carbon steel    | GS C25 + 13 Cr |
| 5 | Stuffing box | Stainless steel | AISI 304       |
| 6 | Packing      | Graphite        | -              |
| 7 | Handwheel    | Carbon steel    | GS C25         |

### DIMENSIONS

| DN  | L   | D1  | D2  | D3  | f | b  | Z - d | H    | W   | Weight (Kg) |
|-----|-----|-----|-----|-----|---|----|-------|------|-----|-------------|
| 50  | 250 | 165 | 125 | 102 | 3 | 20 | 4-18  | 325  | 200 | 15          |
| 65  | 270 | 185 | 145 | 122 | 3 | 22 | 8-18  | 371  | 200 | 18          |
| 80  | 280 | 200 | 160 | 138 | 3 | 24 | 8-18  | 430  | 250 | 24          |
| 100 | 300 | 235 | 190 | 162 | 3 | 24 | 8-22  | 482  | 300 | 28          |
| 125 | 325 | 270 | 220 | 188 | 3 | 26 | 8-26  | 532  | 350 | 39          |
| 150 | 350 | 300 | 250 | 218 | 3 | 28 | 8-26  | 590  | 400 | 51          |
| 200 | 400 | 375 | 320 | 285 | 3 | 34 | 12-30 | 710  | 400 | 78          |
| 250 | 450 | 450 | 385 | 345 | 3 | 38 | 12-33 | 880  | 500 | 125         |
| 300 | 500 | 515 | 450 | 410 | 4 | 42 | 16-33 | 1020 | 500 | 169         |
| 350 | 550 | 580 | 510 | 465 | 4 | 46 | 16-36 | 1287 | 600 | 195         |
| 400 | 600 | 660 | 585 | 535 | 4 | 50 | 16-39 | 1515 | 600 | 260         |