

VA-V9-170 (S14)

Resilient-Seated Gate Valve AWWA C515 GAER® PN16

Gaer® flanged resilient-seated gate valve for water distribution. Can be operated by handwheel and square cap. Possibility of motorization. Its configuration guarantees complete and directional tightness in its entire range of pressures, with smooth movement of the shaft during its entire travel. Design and production of the valve according to the international standards complying with the strictest quality controls.



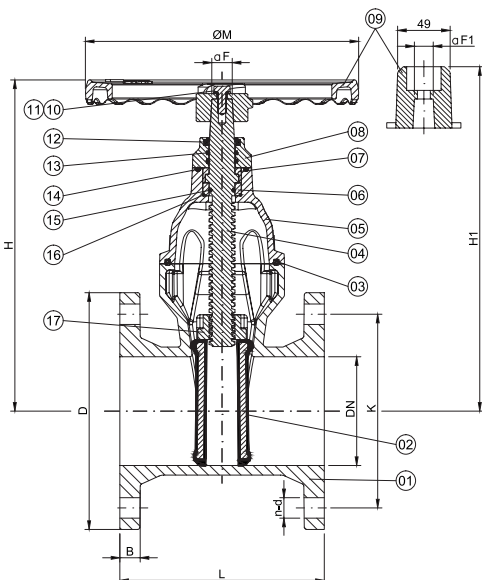
TECHNICAL FEATURES

- Working pressure: PN16.
- Working temperature: 0°C to 80°C.
- Range of dimensions: DN50 to DN300.
- Coating: Epoxy resin according to AWWA C515.
- *Other materials and specifications on request.

STANDARDS

- **Design:** AWWA C515.
 - **Flanges:** ASME B16.5 / CL150.
 - **Distance between sides:** ASME B16.10.
 - **Trials and tests:** AWWA C515 / API 598.
 - **Coating:** AWWA C550.
- WRAS** certified for drinking water

COMPONENTS, MATERIALS AND SPECIFICATIONS

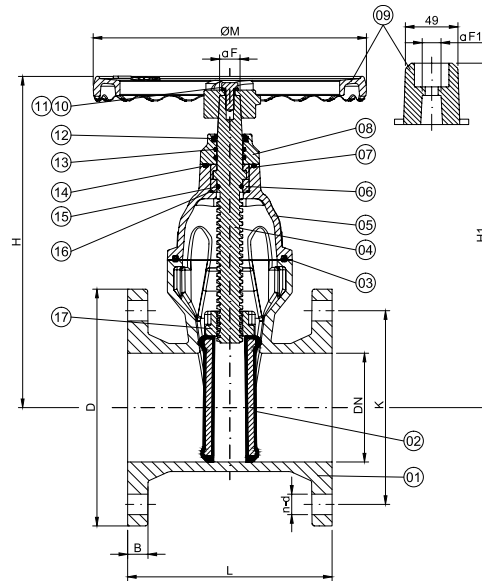


	Component	Material	Specification
1	Body	Ductile iron	ASTM A536 64-45-12 (GGG50)
2	Disc	Ductile iron + EPDM	ASTM A536 64-45-12 (GGG50)
3	Cap seal	NBR	ISO 4633
4	Shaft	Stainless steel	AISI 420
5	Cap	Ductile iron	ASTM A536 64-45-12 (GGG50)
6	Thrust washer	Brass	CuZn39Pb1
7	Thrust gland	Brass	CuZn39Pb1
8	Gasket	Ductile iron	ASTM A536 64-45-12 (GGG50)
9	Handwheel / Square cap	Ductile iron	ASTM A536 64-45-12 (GGG50)
10	Screw	Stainless steel	AISI 304 (A2)
11	Washers	Stainless steel	AISI 304 (A2)
12	Dust cap	NBR	ISO 4633
13	Ring seal	NBR	ISO 4633
14	Ring seal	NBR	ISO 4633
15	Ring seal	NBR	ISO 4633
16	Ring seal	NBR	ISO 4633
17	Shaft lock nut	Brass	CuZn39Pb1

VA-V9-170 (S14) Resilient-Seated Gate Valve AWWA C515

GAER® PN16

MEASUREMENTS AND DIMENSIONS



DN	Dimensions (mm)								
	ASME B16.10	ASME B16.5 Flanges				Contour			
	L	D	K	n-d	B	Ø M	H	H1	af / aF1
50	178	152	120.5	4 - Ø 19	15.7	200	215	230	14
65	190	178	139.5	4 - Ø 19	17.5	200	250	265	14
80	203	191	152.5	4 - Ø 19	19.0	254	275	290	17
100	229	229	190.5	8 - Ø 19	24.0	254	320	335	19
125	254	254	216	8 - Ø 22	24.0	315	355	370	19
150	267	279	241.5	8 - Ø 22	25.4	315	398	415	19
200	292	343	298.5	8 - Ø 22	28.4	315	495	510	24
250	330	406	362	12 - Ø 25	30.0	406	590	605	27
300	356	483	432	12 - Ø 25	31.8	406	670	685	27

ADDITIONAL TECHNICAL INFORMATION

DN	50	65	80	100	125	150	200	250	300
Torque (N x m)	30	30	35	40	60	70	120	150	180
No. Winds	9	10	12	12	14.5	17	18.5	23	27
Weight (Kg)	9	10	16.2	25.9	30	38.1	61.5	90	134.2

