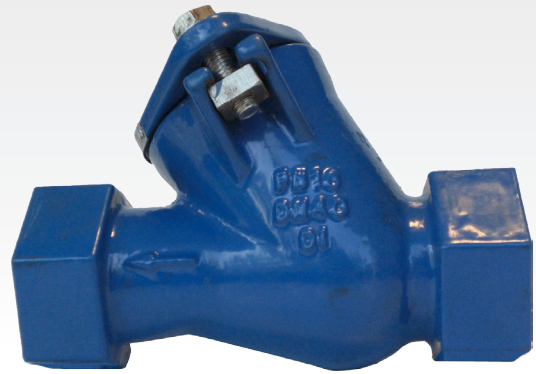


VA-V9-321 (S01)

Threaded Ball Check Valve Gaer® PN16

The Gaer® threaded ball check valve is used extensively in pipes for wastewater, dirty water or water with high concentrations of suspended solids. Obviously it can also be applied in pressurized pipelines for drinking water. Its design guarantees a very low load loss, due to the total passage and an impossibility of obstruction. It is also a completely watertight and maintenance-free valve.

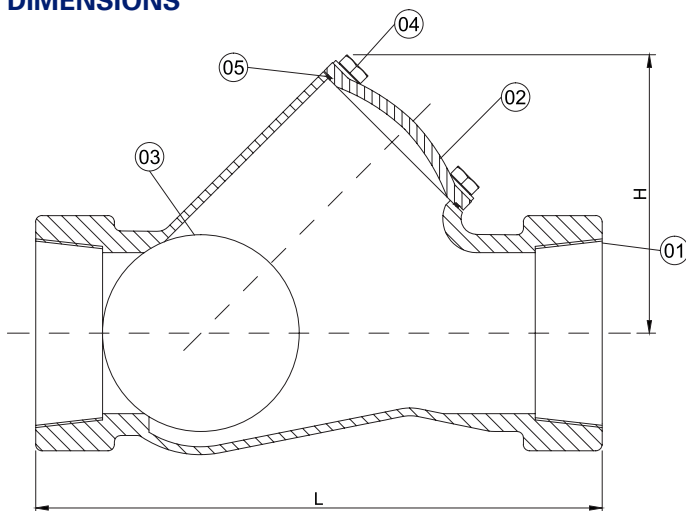


TECHNICAL FEATURES

- Available sizes: 1" to 2" BSPT.
- Temperature range: -10°C to 120°C
- Maximum working pressure: PN16.

*Other materials and specifications on request.

DIMENSIONS



	1"	1 1/4"	1 1/2"	2"
L (mm)	121	140	180	200
H (mm)	60	75	100	125

COMPONENTS, MATERIALS AND SPECIFICATIONS

	Component	Material	Specification
1	Body	Ductile iron	GGG40
2	Cap	Ductile iron	GGG40
3	Ball	Aluminum with EPDM	-
4	Seal	EPDM	-