

VA-V9-311 (S03)

Swing Check Valve Gaer® PN16/PN25

The Gaer® swing check valve is used extensively in water pipes. It is also suited for work with wastewater, dirty water or water with high concentrations of suspended solids. Its design guarantees a very low load loss, and total passage of the fluid. Its shutoff system is free of possible obstructions and requires minimum pressure both for opening and closing.

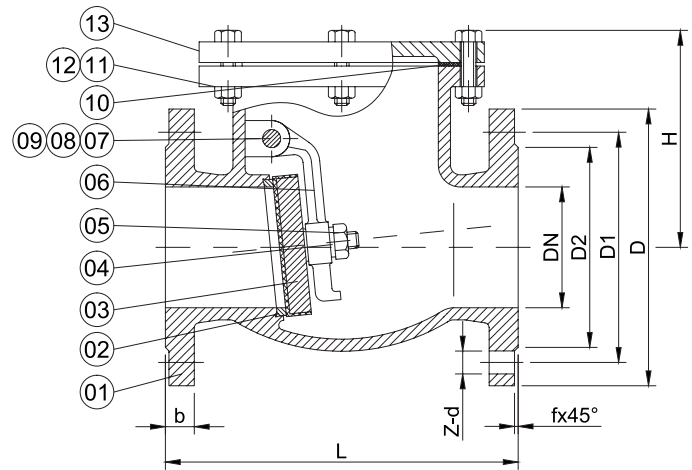
The valve maintenance is possible without need of dismantling it from the pipes; internal parts can be repaired or replaced by unscrewing and removing the cover.



MEASUREMENTS AND DIMENSIONS

DN	D	D1	D2	L	b	f	z-d	H	Weight (Kg)
40	150	110	88	180	18	3	4-18	128	10
50	165	125	102	200	20	3	4-18	136	12
65	185	145	122	240	20	3	4-18	147	14
80	200	160	138	260	22	3	8-18	158	17
100	220	180	158	300	24	3	8-18	184	28
125	250	210	188	350	26	3	8-18	212	36
150	285	240	212	400	26	3	8-23	227	47
200	340	295	268	500	30	3	12-23	263	88
250	405	355	320	600	32	3	12-27	304	144
300	460	410	378	700	32	4	12-27	335	162
350	520	470	438	800	36	4	16-27	355	288
400	580	525	490	900	38	4	16-30	394	378

COMPONENTS, MATERIALS AND SPECIFICATIONS



No.	Component	Material	Specification
1	Body	Ductile iron	ASTM A536
2	Seat	Brass	ASTM B16
3	Disc	Ductile iron + NBR	ASTM A536+NBR
4	Washer	Carbon steel	ASTM A3
5	Lock nut	Carbon steel	ASTM A3
6	Lever	Ductile iron	ASTM A536
7	Hinge pin	Stainless steel	AISI 420
8	Pin	Carbon steel	ASTM A3
9	Seal	NYL	-
10	Seal	NBR	-
11	Screw	Carbon steel	ASTM A3
12	Lock nut	Carbon steel	ASTM A3
13	Cap	Ductile iron	ASTM A536