

VA-V9-341 (S01)

Foot Valve with Strainer Gaer® PN16

The Gaer® foot valve with strainer is the ideal solution to prevent emptying of the suction lines in pumps. Its design and manufacture guarantee hermetic closing. The stainless steel strainer prevents entry of solid particles into the pipe.



TECHNICAL FEATURES

- Working pressure: PN16.
- Minimum closing pressure: 0.3 bar
- Dimensions: DN50 to DN300.
- Temperature: -10°C to 120°C for EPDM
-10°C to 85°C for NBR.
- Connection: Flange.
- Coating: 250µ epoxy resin.

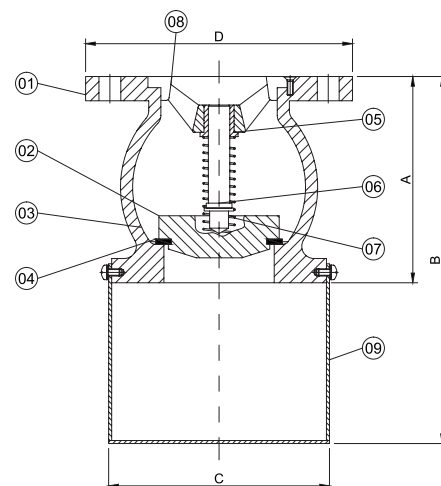
STANDARDS

- Flanges: EN 1092-2 / Optional: ASME B16.1.
- Trials and tests: EN 12266-1.
- Coating: ISO 12944.

MEASUREMENTS AND DIMENSIONS

DN	A (mm)	B (mm)	C (mm)	D (mm)
50	100	160	94	165
65	120	205	120	185
80	140	240	142	200
100	170	300	177	220
125	200	355	206	250
150	230	410	237	285
200	288	490	290	340
250	354	575	330	405
300	410	655	360	460

COMPONENTS, MATERIALS AND SPECIFICATIONS



No.	Component	Material	Specification
1	Body	Gray cast iron	ASTM A126 Class B (GG25)
2	Ball	Gray cast iron	ASTM A126 Class B (GG25)
3	Seat	Gray cast iron	ASTM A126 Class B (GG25)
4	Sealing gasket	EPDM	Commercial
5	Bearing	Bronze	ASTM B62 C83600
6	Shaft	Stainless steel	AISI 420
7	Spring	Stainless steel	AISI 304
8	Support	Gray cast iron	ASTM A126 Class B (GG25)
9	Mesh filter	Stainless steel	AISI 304