

## VA-V9-331 (S03)

# Flanged Ball Check Valve Gaer® PN16

The Gaer® threaded ball check valve is an indispensable element and widely used in pipes for wastewater, dirty water or water with a high concentration of suspended solids. Obviously it is also suited for drinking water pressurized pipelines.

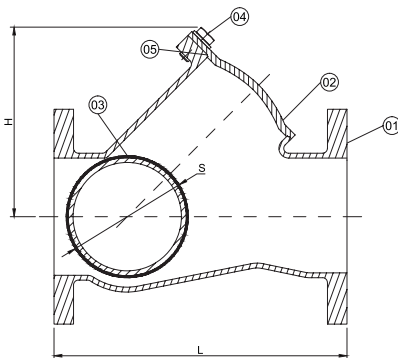
Its design guarantees very low load losses thanks to the total passage of the fluid and an impossibility of obstruction. It is a completely watertight and maintenance-free valve; its assembly depends on the direction of flow.

### TECHNICAL FEATURES

- Working pressure: PN16.
- Dimensions: DN50 to DN300 in PN16.
- Working temperature: -10°C to 120°C for EPDM
- -10°C to 85°C for NBR.
- Coating: 250 µm epoxy RAL5010.

\*Other materials and specifications on request.

### COMPONENTS, MATERIALS AND SPECIFICATIONS



| No. | Component | Material                             | Specification |
|-----|-----------|--------------------------------------|---------------|
| 1   | Body      | Ductile iron                         | ASTM A536     |
| 2   | Ball      | Gray cast iron<br>Aluminum +EPDM/NBR | -             |
| 3   | Screws    | Galvanized carbon steel              | ASTM A3       |
| 4   | Seal      | EPDM                                 | Commercial    |
| 5   | Cap       | Ductile iron                         | ASTM A536     |



### STANDARDS

- Design: MSS SP-71 (Optional: BS 5153/EN 12334).
- Flanges: EN 1092-2 (Optional: ASME B16.1).
- Distance between sides: EN 558-1 Series 48.
- Top flange: ISO 5211.
- Trials and tests / API 598.

### MEASUREMENTS AND DIMENSIONS

| DN  | D (mm) | D1 (mm) | D2 (mm) | L (mm) | b (mm) | H (mm) | f (mm) | Z-d   | Weight (Kg) |
|-----|--------|---------|---------|--------|--------|--------|--------|-------|-------------|
| 50  | 165    | 125     | 99      | 200    | 19     | 180    | 3      | 4-19  | 8           |
| 65  | 185    | 145     | 118     | 240    | 19     | 210    | 3      | 4-19  | 11          |
| 80  | 200    | 160     | 132     | 260    | 19     | 245    | 3      | 8-19  | 14          |
| 100 | 220    | 180     | 156     | 300    | 19     | 280    | 3      | 8-19  | 20          |
| 125 | 250    | 210     | 184     | 350    | 19     | 335    | 3      | 8-19  | 29          |
| 150 | 285    | 240     | 211     | 400    | 19     | 400    | 3      | 8-23  | 36          |
| 200 | 340    | 295     | 266     | 500    | 20     | 495    | 3      | 12-23 | 60          |
| 250 | 400    | 355     | 319     | 600    | 22     | 600    | 3      | 12-28 | 107         |
| 300 | 455    | 410     | 370     | 700    | 24.5   | 715    | 4      | 12-28 | 146         |