

## VA-V9-301 S01

# Two-Way Check Valve Gaer® PN10 / PN16

Two-way check valve with wafer type connection. This valve has a simple, reliable and compact design that prevents reverse flow in pipes and hydraulic equipment

The discs are opened by the pressure of the circulating fluid, and let the fluid pass in the required direction. When the flow is stopped, the valve shuts off rapidly thanks to a closing spring, thus preventing reverse flow.

The elastic closing guarantees perfect tightness and makes it suitable for a large variety of working fluids.

### TECHNICAL FEATURES

- **Working pressure:** PN10 / PN16.
- **Dimensions:** DN50 to DN600.
- **Closing pressure:** 1 bar.
- Small dimensions and light weight.
- \*Other materials and specifications on request.

### ADDITIONAL TECHNICAL INFORMATION

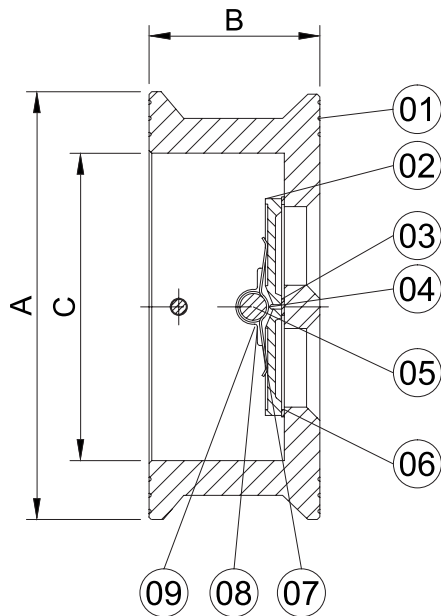
DN	Factor Cv	Weight (Kg)
50	31.7	1.8
65	50.8	2.4
80	72.3	3.2
100	132.0	4.8
125	206.3	7.3
150	297.1	10
200	533.3	14.2
250	838.3	23.6
300	1,211.9	37.5
350	1,472.7	62
400	1,956.7	74
450	2,509.5	100
500	3,130.9	155
600	4,579.8	215



### STANDARDS

- Design: EN 12334.
- Flanges: EN 1092-2. (Optional: ASME B16.1).
- Distance between sides: EN 558-1 Series 50.
- Trials and tests: EN1074 / EN12266 / ISO5208 / API 598.
- Coating: ISO 12944.

# VA-V9-301 s01 Two-Way Check Valve Gaer® PN10 / PN16.



## MEASUREMENTS AND DIMENSIONS

DN	MEASUREMENTS (mm)		
	A (mm)	B (mm)	C (mm)
50	106	54	66
65	126	54	78
80	141	57	90
100	161	64	115
125	191	70	141
150	217	76	170
200	272	95	210
250	327	108	273
300	382	143	324
350	442	184	356
400	494	191	406
450	554	203	457
500	616	213	508
600	733	222	600

## COMPONENTS, MATERIALS AND SPECIFICATIONS

	COMPONENT	MATERIAL	SPECIFICATION
1	Body	Gray cast iron	ASTM A126 Key B (GG25)
2	Disc	Stainless steel	ASTM A351 CF8M (AISI 316)
3	Seat	EPDM	EN 681
4	Spring	Stainless steel	AISI 304
5	Washer	PTFE	Commercial
6	Seal	EPDM	EN 681
7	Hinge pin	Stainless steel	AISI 420
8	Stop pin	Stainless steel	AISI 420
9	Locking pin	Stainless steel	AISI 304

