



VA-V9-251 S06

Double Flange Butterfly Valve "U" Type Gaer® PN10 / PN16

The valve design guarantees maintenance-free operation over time. Light weight and compact construction. The centered disc configuration allows complete tightness in both directions of the flow. Hydrodynamic design of the disc, thus reducing load losses and with this electricity consumption when the valve has to be motorized.

Soft, replaceable shutoff seat, which provides reduction in operation.



TECHNICAL FEATURES

- **Working pressure:** PN10 / PN16.
 - **Dimensions:** DN400 to DN1800 in PN10.
 - DN400 to DN1200 in PN16.
 - **Working temperature:** -10°C to 120°C for EPDM.
 - -10°C to 85°C for NBR.
 - **Connection:** Double flange.
 - **Coating:** Electrostatic epoxy resin, average thickness 250 µm, RAL 5010.
 - **Seat:** Soft Back and replaceable.
 - **Disc-Axis Connection:** without PIN.
- *Optional WRAS certified
*Other materials and specifications on request.

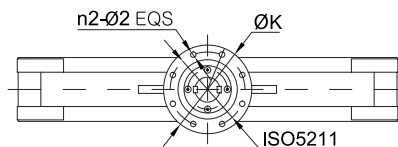
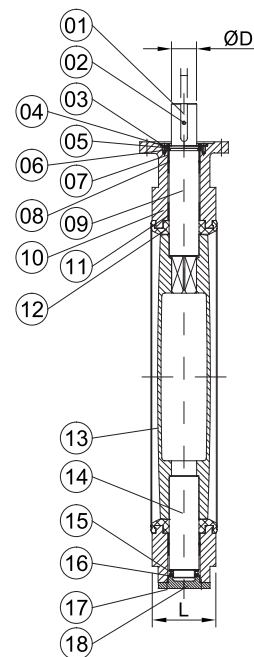
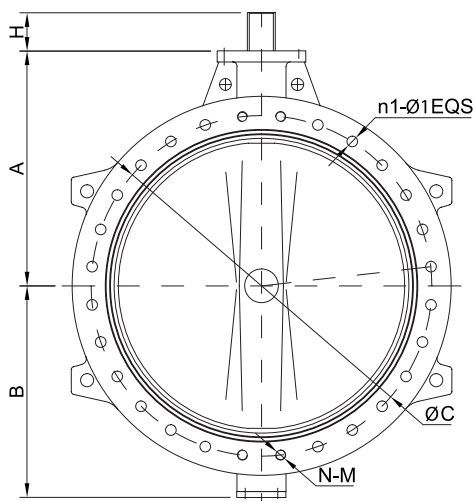
STANDARDS

- **Design:** EN 593 (Optional: API 609).
- **Flanges:** EN 1092-2
(Optional: ASME B16.1 / B16.5 / B16.47).
- **Distance between sides:** EN 558 Series 20.
(Optional: ISO5752-20 / ASME B16.10).
- **Top flange:** ISO 5211.
- **Trials and tests:** BS EN 12266-1.
(Optional: ISO 5208).
- **Coating:** ISO 12944.

VA-V9-251 s06 Double Flange Butterfly Valve "U" Type Gaer® PN10 / PN16

COMPONENTS, MATERIALS AND SPECIFICATIONS

COMPONENT	MATERIAL	SPECIFICATION
1	Body	Ductile iron ASTM A536 65-40-18 ASTM A536 65-45-12 (GGG40)
2	Disc	Stainless steel ASTM A351 CF8 (AISI 304)
		Stainless steel ASTM A351 CF8M (AISI 316)
		Ductile iron ASTM A536 60-40-18 ASTM A536 65-45-12 (GGG40)
		Aluminum Bronze C954 / C958
3	Seat	EPDM / NBR / VITON Commercial
4	Shaft	Stainless steel AISI 420
5	Seal	NBR Commercial
6	Bearing	PTFE Commercial
7	Nuts and bolts	Carbon steel ASTM A570 Gr 45



MEASUREMENTS AND DIMENSIONS

PN10

DN	DIMENSIONS (mm)										
	A	B	H	L	Ø C	Ø D	Ø K	ISO 5211	n2 - Ø 2	n1 - Ø H	n - M
400	307	400	50.8	102	515	27	175	140	4-18	16-28	
450	330	425	80	114	565	38	175	140	4-18	20-28	
500	363	485	80	127	620	42	175	140	4-18	20-28	
600	464	565	80	154	725	50	210	165	4-23	20-31	
700	537	629	95	165	840	55	300	254	8-18	20-31	
800	599	666	95	190	950	55	300	254	8-18	20-34	
900	656	720	130	203	1050	75	300	254	8-18	24-34	
1000	720	800	130	216	1160	85	300	254	8-18	24-37	
1200	864	940.7	150	254	1380	105	350	298	8-22	28-41	
1400	965	1000	150	279	1590	120	415	356	8-33	32-44	
1600	1062.5	1165	180	457	1820	160	415	356	8-33	36-50	
1800	1177.5	1300	200	457	2020	180	475	406	8-39	40-50	

PN16

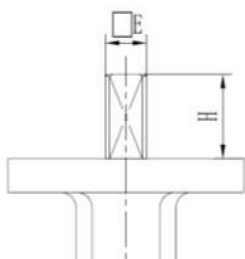
DN	DIMENSIONS (mm)										
	A	B	H	L	Ø C	Ø D	Ø K	ISO 5211	n2 - Ø 2	n1 - Ø 1	n - M
400	307	400	50.8	102	525	27	175	140	4-18	16-31	
450	330	425	80	114	585	38	175	140	4-18	20-31	
500	363	485	80	127	650	42	175	140	4-18	20-34	
600	464	565	80	154	770	50	210	165	4-23	20-37	
700	537	629	95	165	840	55	300	254	8-18	20-37	
800	599	666	95	190	950	55	300	254	8-18	20-41	
900	656	720	130	203	1050	75	300	254	8-18	24-41	
1000	720	800	130	216	1170	85	300	254	8-18	24-44	
1200	864	940.7	150	254	1390	105	350	298	8-22	28-44	

VA-V9-251 s06 Double Flange Butterfly Valve "U" Type Gaer® PN10 / PN16

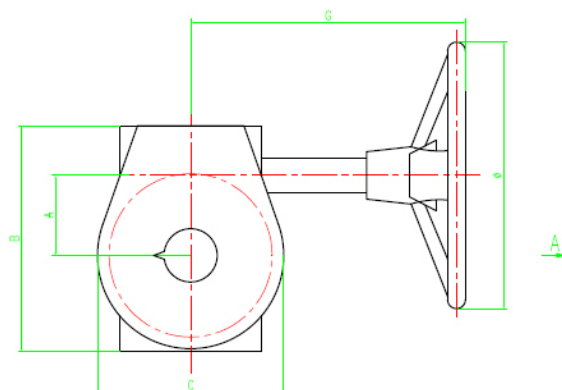
ACTUATORS

1.0 Bare shaft according to ISO 5211:

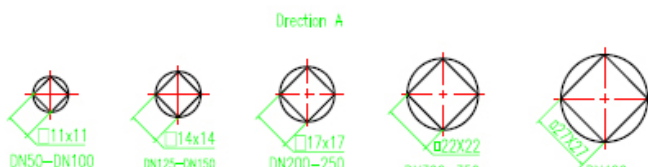
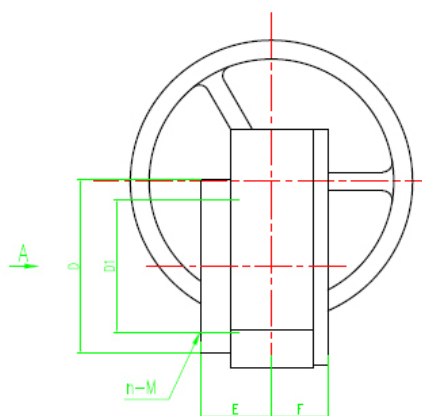
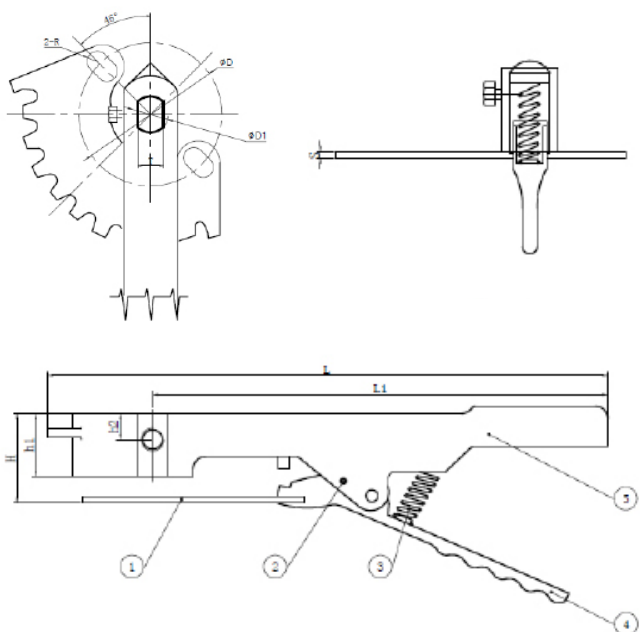
DN	E (mm)	H (mm)
50	11	32
65	11	32
80	11	32
100	11	32
125	14	32
150	14	32
200	17	45
250	22	45
300	22	45
350	22	45
400	27	50.8
450	27	50.8
500	32	57.5
600	36	70



3.0 Manual reducer with handwheel:



2.0 Lever



	Component	Material	Specification
1	Indicator	Carbon steel	S235 JR
2	Spring pin	Spring steel	65Mn
3	Spring	Spring steel	65Mn
4	Side lever	Carbon steel	KT350-10
5	Main lever	Carbon steel	KT350-10

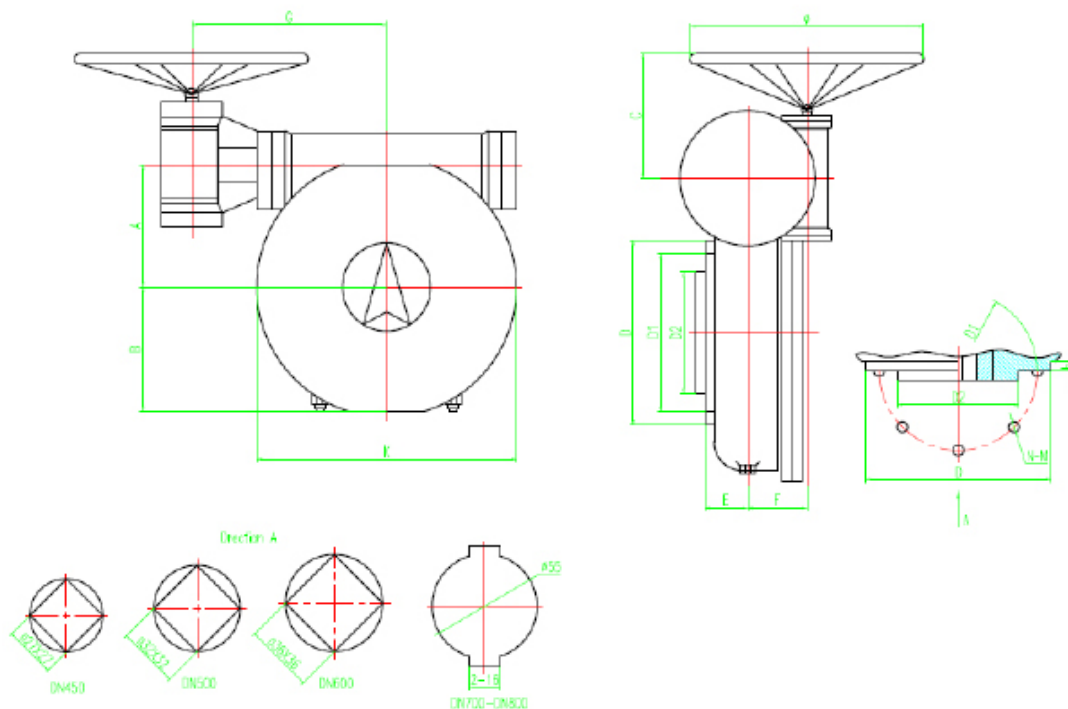
	Component	Material	Specification
1	Handwheel	Gray cast iron	EN 1561 (EN GJL-150)
2	Body	Gray cast iron	EN 1561 (EN GJL-200)
3	Cap	Gray cast iron	EN 1561 (EN GJL-200)
4	Seal	NBR	Commercial
5	Shaft	Carbon steel	ASTM A570 Grade 45
6	Endless screw	Carbon steel	ASTM A570 Grade 45

DN	50-80	100	125-150	200
L (mm)	234	290	290	400
L1 (mm)	216	265	265	374
H (mm)	32	32	32	45
h1 (mm)	22	25	25	29
h2 (mm)	9	10	10	14
S (mm)	3	3	3	3
Ø D (mm)	50	70	70	70
Ø D1 (mm)	12.6	15.77	18.92	22.1
T (mm)	9.02	11.15	12.75	15.9
2-R (mm)	2-R3.5	2-R5	2-R5	2-R5
Weight (Kg)	0.40	0.59	0.59	0.93

Actuator and valve diameter relation	
Model	DN Valve
3Dc-15	100
3Dc-15	150
3Dc-50	200
3Dc-50	250
3Dc-120	300
3Dc-120	350
3Dc-250	400
3DA-30/250	450
3DA-30/250	500
3DA-30/400	600
3DA-60/800	800

VA-V9-251 s06 Double Flange Butterfly Valve "U" Type Gaer® PN10 / PN16

3.1 Manual reducer with handwheel:



DN	3Dc-15	3Dc-50	3Dc-120	3Dc-250
A (mm)	45	63	78	120
B (mm)	128	179	200	287.5
C (mm)	105	152	164	287
D (mm)	90	125	125 / 140	175
D1 (mm)	70	102	102	140
E (mm)	36	46	46	59
F (mm)	28	34	36	54
G (mm)	226	313	307	373
n-M	4-M8	4-M10	4-M10	4-M16
Ø (mm)	150	300	300	400

Model	Output torque (N-m)	No. Winds
3Dc-15	150	6
3Dc-50	500	8
3Dc-120	1200	12.5
3Dc-250	2500	20
3DA-30/250	2500	133
3DA-30/400	4000	160
3DA-60/800	8000	176

Model	3DA-30/250	3DA-30/400	3DA-60/800
A (mm)	94	125	140
B (mm)	103.5	131	146
C (mm)	160	176	215
D (mm)	175	210	300
D1 (mm)	140	165	254
D2 (mm)	130	130	200
E (mm)	53	62	69
F (mm)	57	66	88
G (mm)	181	199.5	228
K (mm)	214	276	300
h (mm)	4	4	4
Ø (mm)	300	400	400
n-M	4-M16	4-M20	8-M16

