

VA-V9-271 S06

Double Flange Butterfly Valve Series 13 Gaer® PN10 / PN16

The valve design guarantees maintenance-free operation over time. Light weight and compact construction. The centered disc configuration allows complete tightness in both directions of flow, hydrodynamic design of the disc, thus reducing load losses and with this electricity consumption.

Rubber seat to provide total bidirectional tightness.

TECHNICAL FEATURES

- **Working pressure:** PN10 / PN16.
- **Dimensions:** DN50 to DN2800.
- **Working temperature:**
 - 10°C to 120°C for EPDM
 - 10°C to 85°C for NBR.
- **Type:** Double flange.
- **Coating:** 250 µm epoxy RAL5010.
- **Seat:** Vulcanized.
- **Disc-Axis Connection:** without PIN.
- **Optional:** Suitable for drinking water

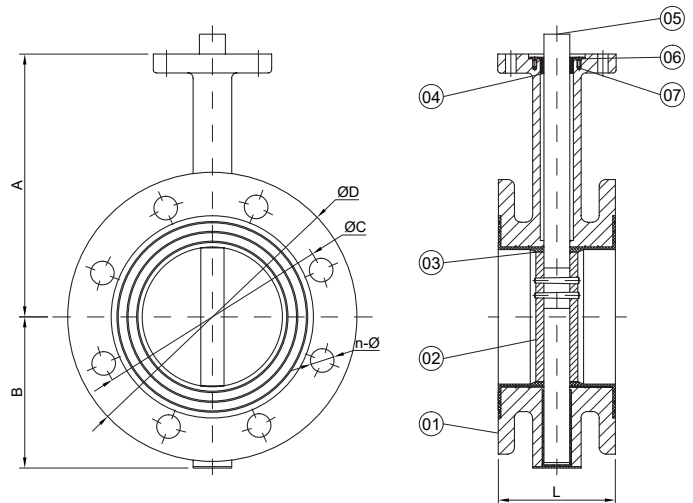
*Other materials and specifications on request.

STANDARDS

- **Design:** EN 593.
- **Flanges:** EN 1092-2, DN2200 according to ISO 2084.
- **Distance between sides:** EN 558 Series 13. (Optional: ISO 5752-13).
- **Coupling flange:** ISO 5211.
- **Trials and tests:** EN 12266-1 / EN 1074 / ISO 5208 API 598.
- **Coating:** ISO 12944.



COMPONENTS, MATERIALS AND SPECIFICATIONS

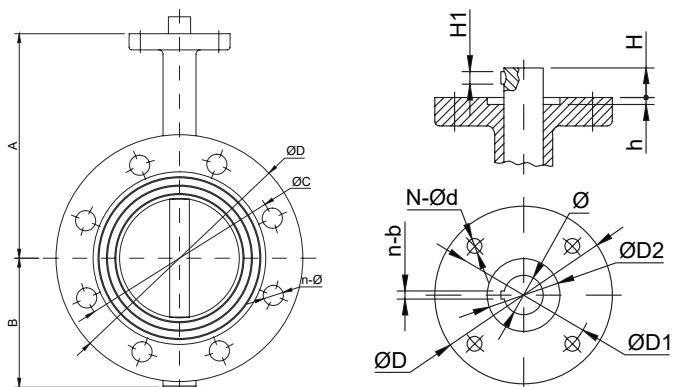


	COMPONENT	MATERIAL	SPECIFICATION
1	Body	Ductile iron	ASTM A536 65-40-18 ASTM A536 65-45-12 (GGG40)
2	Disc	Stainless steel	ASTM A351 CF8 (AISI 304)
		Stainless steel	ASTM A351 CF8M (AISI 316)
		Ductile iron	ASTM A536 60-40-18 ASTM A536 65-45-12 (GGG40)
3	Seat	Aluminum Bronze	C954 / C958
4	Shaft	EPDM / NBR / VITON	Commercial
5	Seal	Stainless steel	AISI 420
6	Bearing	NBR	Commercial
7	Nuts and bolts	PTFE	Commercial
		Carbon steel	ASTM A570 Gr 45

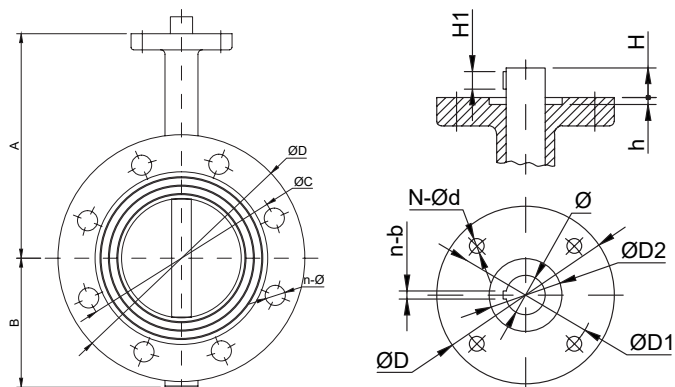
VA-V9-251 s06 Double Flange Butterfly Valve Series 13 Gaer® PN10 / PN16

MEASUREMENTS AND DIMENSIONS

DN50 to DN300



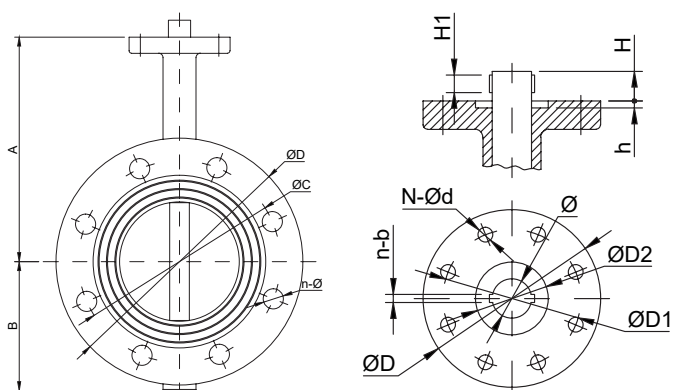
DN350 to DN600



DIMENSIONS (mm)

DN	A	B	H	E	Ø D	h	Ø K	ISO 5211	n-ØN	L	Ø C	N-ØM
50	131	84	32	11	55	3	90	70	4-Ø10	108	125	4-Ø19
65	142	85	32	11	55	3	90	70	4-Ø10	112	145	4-Ø19
80	155	92.5	32	11	55	3	90	70	4-Ø10	114	160	8-Ø19
100	168	108.5	32	11	55	3	90	70	4-Ø10	127	180	8-Ø19
125	184	121.5	32	14	55	3	90	70	4-Ø10	140	210	8-Ø19
150	202	138	32	14	55	3	90	70	4-Ø10	140	240	8-Ø23
200	241	161.5	45	17	70	3	125	102	4-Ø12	152	295	8-Ø19/12-Ø19
250	272	195	45	17	70	3	125	102	4-Ø12	165	350/355	12-Ø23/12-Ø28
300	308	222	45	22	70	3	140	102	4-Ø12	178	400/410	12-Ø28
350	330	250	45	22	70	3	125	102	4-Ø12	190	460/470	16-Ø23/16-Ø28
400	375	292	50.8	27	100	4	175	140	4-Ø18	216	515/525	16-Ø28/16-Ø31
450	405	307	50.8	27	100	4	175	140	4-Ø18	222	565/585	20-Ø28/20-Ø31
500	450	342	57.5	32	100	4	175	140	4-Ø18	229	620/650	20-Ø28/20-Ø34
600	518	433	70	36	130	5	210	165	4-Ø22	267	725/770	20-Ø31/20-Ø37

DN700 to DN1200



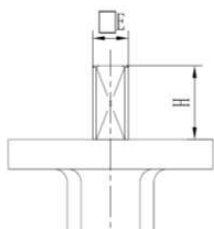
DIMENSIONS (mm)

DN	H1	H2	H3	H	L	ØA	ØB	N1-Ød1	ØC	h	S	ØE	2-b	ØD1	N*ØD0
700	560	465	85	95	292	300	254	8-Ø18	200	5	71.35	63.35	2-18	840	24-Ø30/24-Ø36
750	610	505	85	95	308	300	254	8-Ø18	200	5	71.35	63.35	2-18	900	24-Ø33/24-Ø36
800	620	519	85	95	318	300	254	8-Ø18	200	5	71.35	63.35	2-18	950	24-Ø33/24-Ø39
900	692	576	130	130	330	300	254	8-Ø18	200	5	84	75	2-20	1050	28-Ø33/28-Ø39
1000	735	640	130	130	410	300	254	8-Ø18	200	5	95	85	2-22	1160 / 1170	28-Ø36/28-Ø42
1100	813	735	150	150	450	300	254	8-Ø18	200	5	95	85	2-22	1270	32-Ø36/32-Ø42
1200	917	783	150	150	470	350	298	8-Ø22	230	5	117	105	2-28	1380/1390	32-Ø39/32-Ø48

VA-V9-251 s06 Double Flange Butterfly Valve Series 13 Gaer® PN10 / PN16

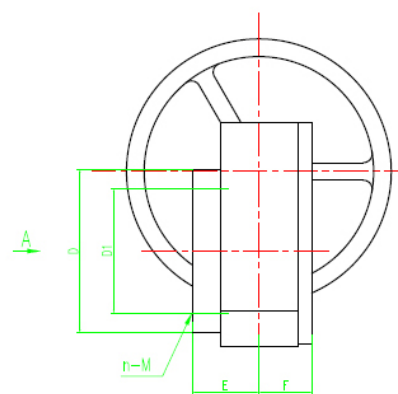
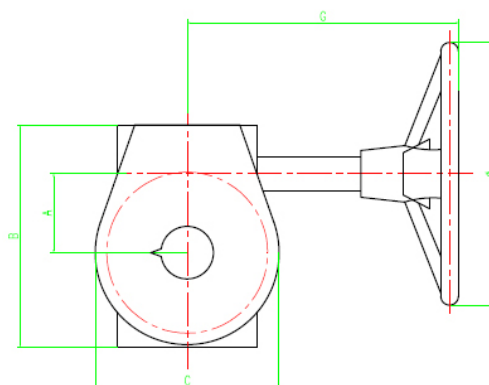
ACTUATORS

1.0 Bare shaft according to ISO 5211:

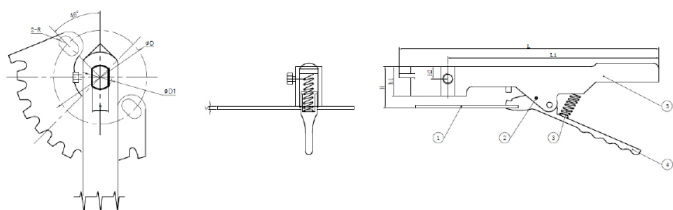


DN	E (mm)	H (mm)
50	11	32
65	11	32
80	11	32
100	11	32
125	14	32
150	14	32
200	17	45
250	22	45
300	22	45
350	22	45
400	27	50.8
450	27	50.8
500	32	57.5
600	36	70

3.0 Manual reducer with handwheel:



2.0 Lever



	Component	Material	Specification
1	Indicator	Carbon steel	S235 JR
2	Spring pin	Spring steel	65Mn
3	Spring	Spring steel	65Mn
4	Side lever	Carbon steel	KT350-10
5	Main lever	Carbon steel	KT350-10

DN	50-80	100	125-150	200
L (mm)	234	290	290	400
L1 (mm)	216	265	265	374
H (mm)	32	32	32	45
h1 (mm)	22	25	25	29
h2 (mm)	9	10	10	14
S (mm)	3	3	3	3
Ø D (mm)	50	70	70	70
Ø D1 (mm)	12.6	15.77	18.92	22.1
T (mm)	9.02	11.15	12.75	15.9
2-R (mm)	2-R3.5	2-R5	2-R5	2-R5
Weight (Kg)	0.40	0.59	0.59	0.93

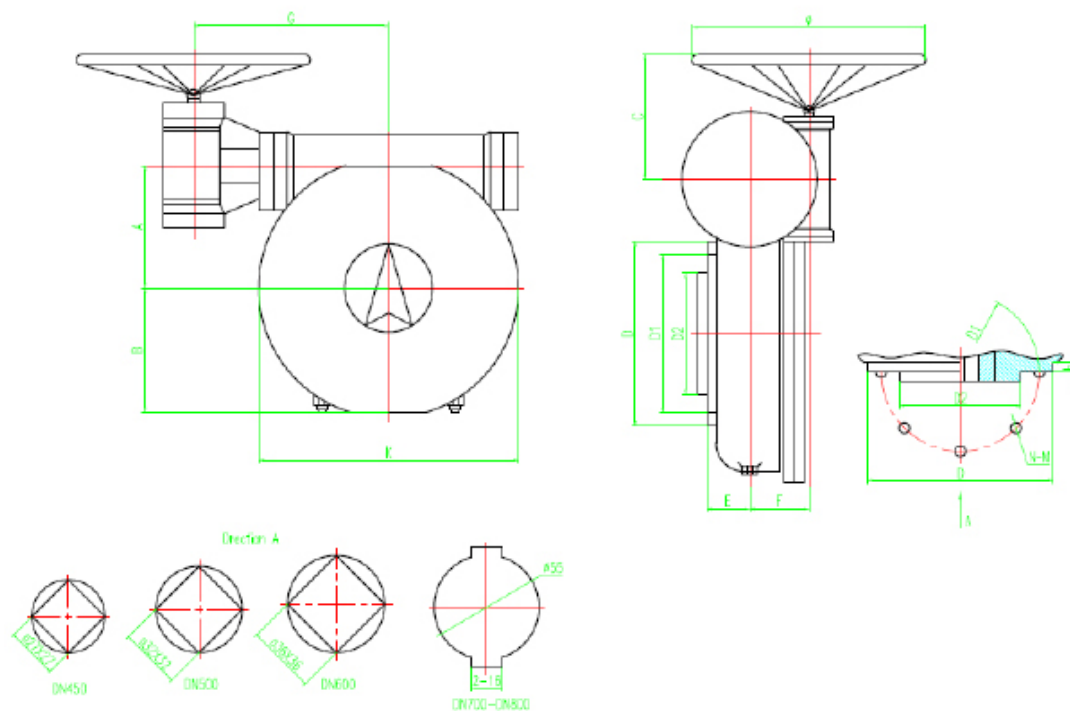


	Component	Material	Specification
1	Handwheel	Gray cast iron	EN 1561 (EN GJL-150)
2	Body	Gray cast iron	EN 1561 (EN GJL-200)
3	Cap	Gray cast iron	EN 1561 (EN GJL-200)
4	Seal	NBR	Commercial
5	Shaft	Carbon steel	ASTM A570 Grade 45
6	Endless screw	Carbon steel	ASTM A570 Grade 45

Actuator and valve diameter relation	
Model	DN Valve
3Dc-15	100
3Dc-15	150
3Dc-50	200
3Dc-50	250
3Dc-120	300
3Dc-120	350
3Dc-250	400
3DA-30/250	450
3DA-30/250	500
3DA-30/400	600
3DA-60/800	800

VA-V9-251 s06 Double Flange Butterfly Valve Series 13 Gaer® PN10 / PN16

3.1 Manual reducer with handwheel:



DN	3Dc-15	3Dc-50	3Dc-120	3Dc-250
A (mm)	45	63	78	120
B (mm)	128	179	200	287.5
C (mm)	105	152	164	287
D (mm)	90	125	125 / 140	175
D1 (mm)	70	102	102	140
E (mm)	36	46	46	59
F (mm)	28	34	36	54
G (mm)	226	313	307	373
n-M	4-M8	4-M10	4-M10	4-M16
Ø (mm)	150	300	300	400

Model	Output torque (N-m)	No. Winds
3Dc-15	150	6
3Dc-50	500	8
3Dc-120	1200	12.5
3Dc-250	2500	20
3DA-30/250	2500	133
3DA-30/400	4000	160
3DA-60/800	8000	176

Model	3DA-30/250	3DA-30/400	3DA-60/800
A (mm)	94	125	140
B (mm)	103.5	131	146
C (mm)	160	176	215
D (mm)	175	210	300
D1 (mm)	140	165	254
D2 (mm)	130	130	200
E (mm)	53	62	69
F (mm)	57	66	88
G (mm)	181	199.5	228
K (mm)	214	276	300
h (mm)	4	4	4
Ø (mm)	300	400	400
n-M	4-M16	4-M20	8-M16