

## VA-V9-281S10

# Double Eccentric Butterfly Valve Gaer®

PN10 / PN16 / PN25 / PN40



This type of valve is a basic component in any hydraulic installation where the highest reliability, control and performance of the system are required.

The construction in double eccentric allows its operation with very low operating torques and at the same time shutoff element wear is minimal, and the useful life of the valve is thus prolonged. They are designed to provide high tightness, and are the ideal solution for processes where there is little space.

The special design of the seats allows bidirectional sealing, allowing the valve to work in both directions of the fluid.

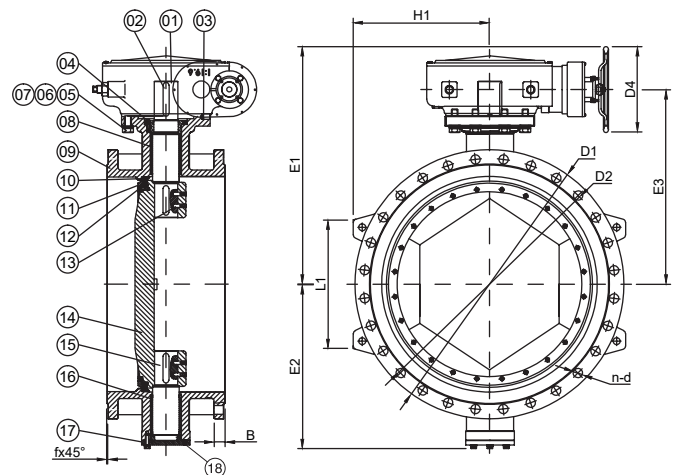
### TECHNICAL FEATURES

- Working pressure: PN10 / PN16 / PN25 / PN40.
  - Dimensions: DN200 to DN2000.
  - Shutoff: bidirectional.
  - Seat: Stainless steel.
- \*Other materials and specifications on request.

### STANDARDS

- Design: EN 593.
- Flanges: EN 1092-2.
- Distance between sides: EN 558-1 Series 14.
- Coupling flange: ISO 5211.
- Trials and tests: EN1074 / EN 12266 / ISO5208 / API 598.
- Coating: ISO 12944.
- WRAS certified for drinking water

### COMPONENTS AND MATERIALS

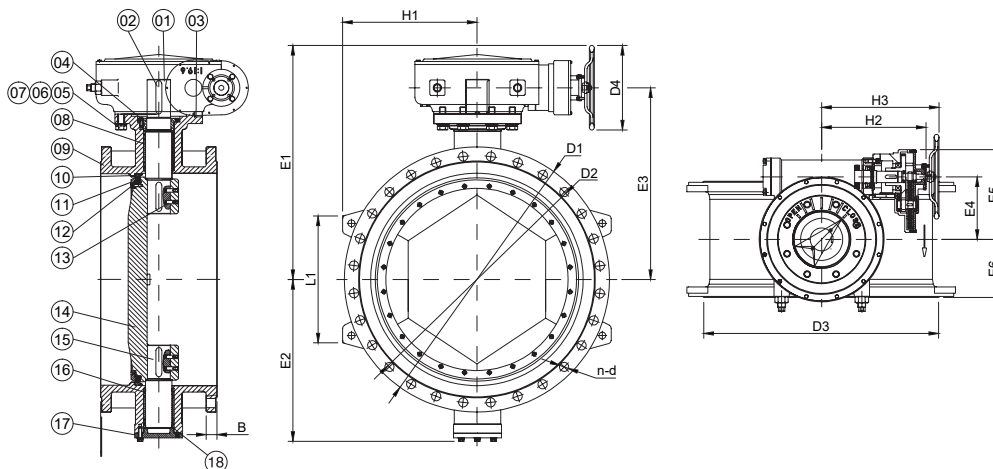


	COMPONENT	MATERIAL
1	Top shaft	Stainless steel AISI 420
2	Key	Stainless steel AISI 420
3	Pin	Stainless steel AISI 420
4	Gasket	Ductile iron GGG50
5	Screw	Stainless steel AISI 304
6	Washer	Stainless steel AISI 304
7	Spring	Stainless steel AISI 304
8	Bearing	Aluminum bronze
9	Body	Ductile iron GGG50
10	Body seal	Stainless steel AISI 316L
11	Locking ring	Carbon steel WCB +epoxy
12	Disc seal	Commercial EPDM
13	Pin	Stainless steel AISI 420
14	Disc	Ductile iron GGG50
15	Bottom shaft	Stainless steel AISI 420
16	Ring seal	EPDM
17	Cap	Ductile iron GGG50
18	Bearing	Aluminum bronze

# VA-V9-281S10

## Double Eccentric Butterfly Valve Gaer® PN10 / PN16 / PN25 / PN40

### MEASUREMENTS AND DIMENSIONS



CONTOUR MEASUREMENTS (mm)

DN	L	H1	H2	H3	E1	E2	E3	E4	E5	E6	L1	D4
200	230	175	137	193	526	198	272	64	99	86	196	240
250	250	207.5	178	233	623	230	328	93.4	135	115	240	320
300	270	235	178	233	670	254	351	93.4	135	115	275	320
350	290	265	192	283	784	295	407	120	169	138	290	400
400	310	295	192	283	853	334	437	120	169	138	320	400
450	330	325	317	378	938	368	488	120	186	138	360	400
500	350	362.5	315	376	1019	400	530	148	214	166	395	400
600	390	425	315	376	1117	480	548	148	214	166	470	400
700	430	460	346	407	1308	563	640	185	265	196	480	400
800	470	517.5	346	407	1426	623	698	185	265	196	560	400
900	510	567.5	390	451	1612	698	789	230	333	232	618	400
1000	550	635.5	451	512	1773	766	882	230	333	232	600	400
1200	630	747.5	507	568	2112	910.5	1038	315	453	327	800	400
1400	710	847.5	599	660	2529	1063	1253	412	613	390	920	400
1500	750	915	599	660	2633	1120	1300	412	613	390	1000	400
1600	790	970	599	660	2754	1172	1369	412	613	390	1060	400
1800	870	1070	777	838	3257	1416	1602	495	725	485	1170	600
2000	950	1177.5	777	838	3523	1583	1701	495	725	485	1290	600

FLANGE MEASUREMENTS (mm)

DN	PN10				PN16				PN25				PN40			
	D1	D2	B	n-d	D1	D2	n-d	B	D1	D2	B	n-d	D1	D2	B	n-d
200	340	295	20	8-23	340	295	12-23	20	360	310	22	12-28	376	320	30	12-31
250	395	350	22	12-23	405	355	12-28	22	425	370	24.5	12-31	450	385	34.5	12-34
300	445	400	24.5	12-23	460	410	12-28	24.5	485	430	27.5	16-31	515	450	39.5	16-34
350	505	460	24.5	16-23	520	470	16-28	26.5	555	490	30	16-34	580	510	44	16-37
400	565	515	24.5	16-28	580	525	16-31	28	620	550	32	16-37	660	585	48	16-41
450	615	565	25.5	20-28	640	585	20-31	30	670	600	34.5	20-37	685	610	49	20-41
500	670	620	26.5	20-28	715	650	20-34	31.5	730	660	36.5	20-37	755	670	52	20-44
600	780	725	30	20-31	840	770	20-37	36	845	770	42	20-41	890	795	58	20-50
700	895	840	32.5	24-31	910	840	24-37	39.5	960	875	46.5	24-44	995	900	62.5	24-50
800	1015	950	35	24-34	1025	950	24-41	43	1065	990	51	24-50	1140	1030	67	24-57
900	1115	1050	37.5	28-34	1125	1050	28-41	46.5	1185	1090	55.5	28-50	1250	1140	71.5	28-57
1000	1230	1160	40	28-37	1255	1170	28-44	50	1320	1210	60	28-57	1380	1250	76	28-57
1200	1455	1380	45	32-41	1485	1390	32-50	57	1530	1420	69	32-57	1575	1480	88	32-62
1400	1675	1590	46	36-44	1685	1590	36-50	60	1755	1640	74	36-62	-	-	-	-
1500	1785	1700	47.5	36-44	1820	1710	36-57	62.5	1865	1750	77.5	36-62	-	-	-	-
1600	1915	1820	49	40-50	1930	1820	36-57	65	1975	1860	81	40-62	-	-	-	-
1800	2115	2020	52	44-50	2130	2020	36-57	70	2195	2070	88	44-70	-	-	-	-
2000	2325	2230	55	48-50	2345	2230	48-62	75	2425	2300	95	48-70	-	-	-	-

## VA-V9-281S10

# Double Eccentric Butterfly Valve Gaer® PN10 / PN16 / PN25 / PN40

### ADDITIONAL TECHNICAL INFORMATION

DN	PN10			PN16			PN25			PN40		
	Plate	Shaft	Torque	Plate	Shaft	Torque	Plate	Shaft	Torque	Plate	Shaft	Torque
	ISO 5211	(mm)	N·m	ISO 5211	(mm)	N·m	ISO 5211	(mm)	N·m	ISO 5211	(mm)	N·m
200	F10	30	315	F10	30	466	F14	40	800	F14	40	1,206
250	F10	30	505	F12	40	827	F14	40	1,346	F14	50	2,042
300	F12	40	788	F12	40	1,163	F16	50	2,018	F16	55	3,230
350	F12	40	1,098	F14	50	1,754	F16	55	2,731	F25	65	4,535
400	F14	50	1,591	F14	50	2,341	F16	65	3,869	F25	65	6,049
450	F14	50	2,015	F16	55	3,074	F25	70	5,085	F30	85	9,532
500	F16	55	2,623	F16	60	4,135	F25	80	6,789	F30	80	8,567
600	F16	60	4,029	F25	70	6,328	F30	85	9,958	F30	100	13,249
700	F25	70	5,758	F25	80	9,166	F30	100	15,815	F35	128	27,154
800	F25	80	8,376	F30	90	13,446	F35	100	22,048	F35	130	27,596
900	F30	90	11,387	F30	100	17,794	F35	115	27,462	F40	135	37,516
1000	F30	100	15,268	F35	110	23,843	F40	140	39,462	F40	150	47,534
1200	F35	110	23,567	F35	130	37,685	F40	155	49,698	F48	185	108,230
1400	F35	130	33,714	F35	130	53,058	F48	170	88,368	-	-	-
1600	F40	140	48,968	F40	140	81,921	F48	200	128,408	-	-	-
1800	F40	155	67,936	F40	155	98,216	-	-	-	-	-	-
2000	F48	170	90,666	F48	170	139,344	-	-	-	-	-	-

\*To select an electric actuator apply a minimum factor of 1.3.

