

VA-V9-261 S06

Lug Type Butterfly Valve Gaer® PN16

Butterfly valve Gaer® centered shaft LUG type connection Elastomer seat that makes it possible to work with a broad variety of fluids and provides hermetic and directional shutoff.

Simple, compact design.

They are destined for the industrial sector, construction, industrial process water, refineries, metal industries...

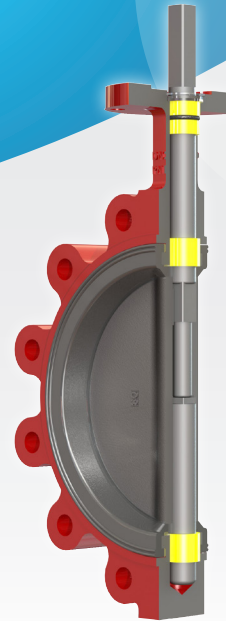
The LUG type connection allows the valve to be connected at end of line.

TECHNICAL FEATURES

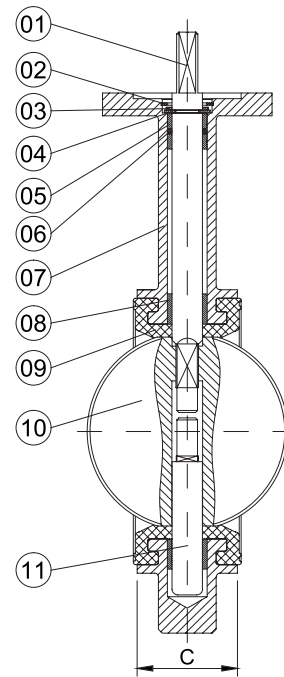
- **Working pressure:** PN10 / PN16.
 - **Dimensions:** DN50 to 600.
 - **Working temperature:** -10°C to 120°C for EPDM
-10°C to 85°C for NBR.
 - **Connection:** LUG.
 - **Type:** Concentric.
 - **Coating:** Electrostatic epoxy resin, average thickness 250 µm, RAL 5010.
 - **Seat:** Replaceable (3 attachment points).
 - **Disk-Shaft Connection:** Mechanized internally (without pins).
- *Other materials and specifications on request.

STANDARDS

- **Design:** EN 609 (Optional: API 593).
- **Flanges:** EN 1092-2 (Optional: ASME B165).
- **Distance between sides:** (Optional: ISO5752-20 / EN 558 Series 20).
- **Coupling flange:** ISO 5211.
- **Trials and tests:** EN 12266-1 / EN1079 ISOT208 / API 598.
- **Coating:** ISO 12944.

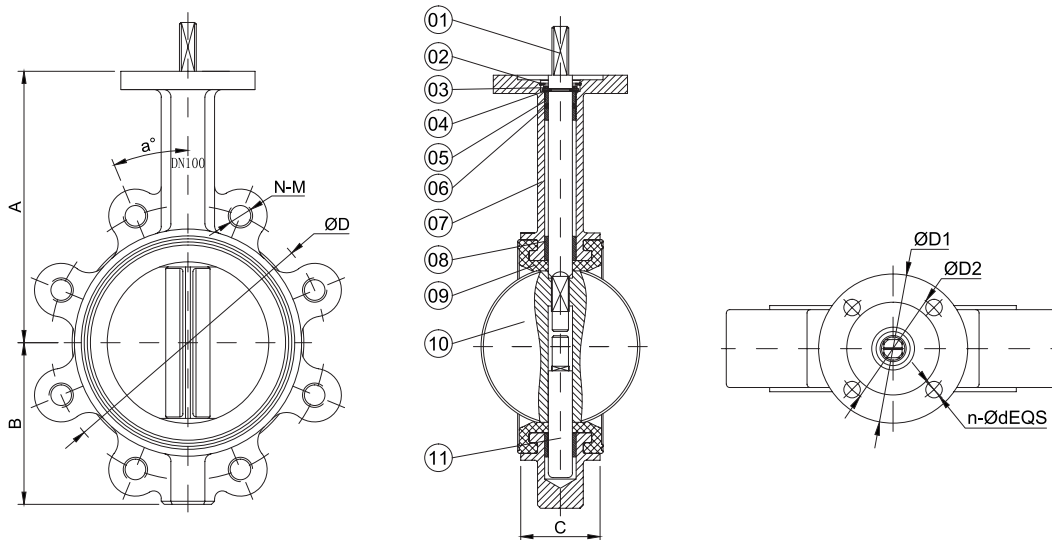


COMPONENTS, MATERIALS AND SPECIFICATIONS



	COMPONENT	MATERIAL	SPECIFICATION
1	Top shaft	Stainless steel	AISI 420
2	Locking ring	Carbon steel for springs	65Mn
3	Ring seal	Carbon steel	Q235
4	Washer	Carbon steel for springs	65Mn
5	Bearing	Teflon	PTFE
6	Ring seal	NBR	EN 681
7	Body	Ductile iron	ASTM A536 60-40-18 (GGG40)
8	Bearing	Teflon	PTFE
9	Seat	EPDM/NBR	EN 681
10	Disc	Ductile iron + epoxy	ASTM A536 60-40-18 (GGG40)
		Stainless steel	AISI 316
11	Bearing	Teflon	PTFE

VA-V9-261 s06 Lug Type Butterfly Valve Gaer® PN16



MEASUREMENTS AND DIMENSIONS

DN	DIMENSIONS (mm)									
	A	B	C	Ø D		Ø D	ØD2	n-Ød	n-M	
				PN10	PN16				PN10	PN16
50	62	141	43	125	90	70	4-10	4-M16		
65	72	153	46	145	90	70	4-10	4-M16		
80	87	161	46	160	90	70	4-10	8-M16		
100	106	178	52	180	90	70	4-10	8-M16		
125	123	193	56	210	90	70	4-10	8-M16		
150	138	204	56	240	90	70	4-10	8-M20		
200	173	247	60	295	125	102	4-12	8-M20	12-M20	
250	207	280	68	350	355	125	102	4-12	12-M20	12-M24
300	250	324	78	400	410	125	102	4-12	12-M20	12-M24
350	267	368	78	460	470	140	102	4-12	16-M20	16-M24

MEASUREMENTS AND DIMENSIONS

DN	DIMENSIONS (mm)									
	A	B	C	Ø D		Ø D	ØD2	n-Ød	n-M	
				PN10	PN16				PN10	PN16
400	312	400	102	515	525	175	140	4-18	16-M24	16-M27
450	330	425	114	565	585	175	140	4-18	20-M24	20-M27
500	363	485	127	620	650	175	140	4-18	20-M24	20-M30
600	459	565	154	725	770	210	165	4-23	20-M27	20-M33

ADDITIONAL TECHNICAL INFORMATION

DN	50	65	80	100	125	150	200	250	300	350	400	450	500	600
Weight (Kg)	4.3	4.7	4.9	9.1	12.1	13.2	19.5	29.5	49	72	90	111	123	178
Factor Cv	115	196	302	600	1022	1579	3136	5340	8250	11917	16388	21705	27908	43116

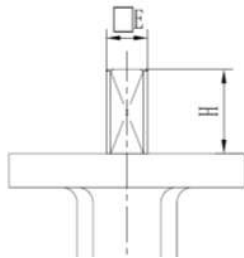
Operating torque butterfly valves (N·m)	DN		50	65	80	100	125	150	200	250	300	350	400	450	500	600
	PN6	Wet	12.7	13.4	20.4	33.1	51.4	80.2	145	232	343	434	565	742	965	1494
		Dry	20.2	25.4	38.7	60.5	89.3	141	250	394	559	650	848	1113	1447	2241
	PN10	Wet	13.9	15.4	21.7	37.1	57.9	93.9	173	286	429	550	755	1012	1350	2111
		Dry	21.1	29.2	41.1	67.8	101	165	297	486	699	825	1133	1518	2025	3166
	PN16	Wet	15.1	17.2	23.1	39.8	61.9	102	192	323	490	625	846	1131	1431	2301
		Dry	24.2	32.7	43.7	72.8	108	174	330	549	799	969	1307	1787	2288	3711

VA-V9-261 S06 Lug Type Butterfly Valve Gaer® PN16

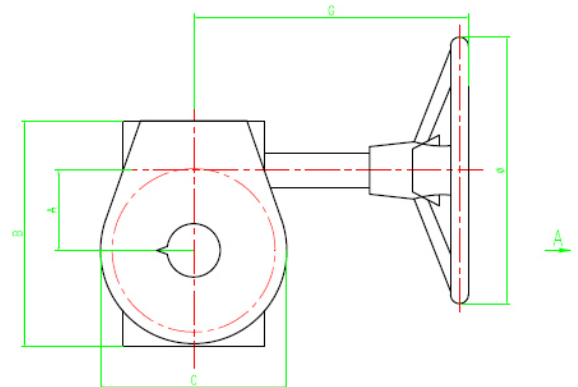
ACTUATORS

1.0 Bare shaft according to ISO 5211:

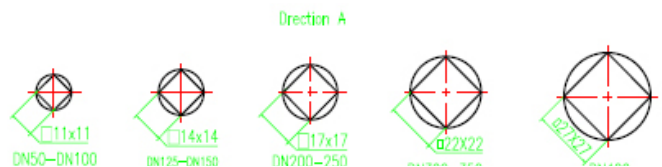
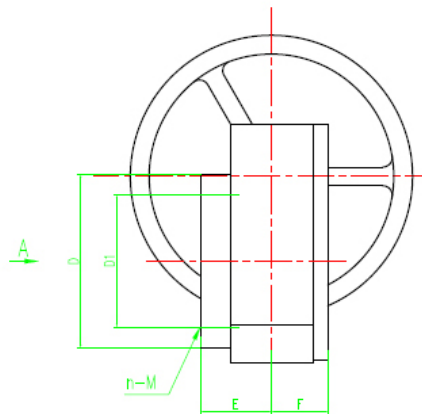
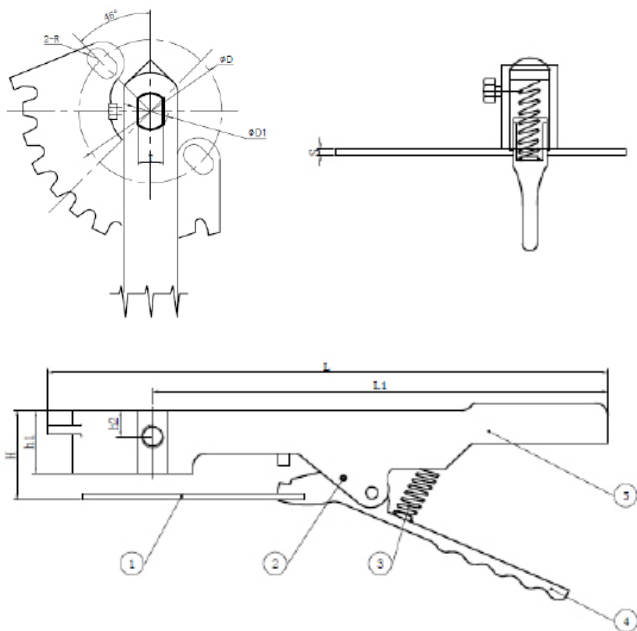
DN	E (mm)	H (mm)
50	11	32
65	11	32
80	11	32
100	11	32
125	14	32
150	14	32
200	17	45
250	22	45
300	22	45
350	22	45
400	27	50.8
450	27	50.8
500	32	57.5
600	36	70



3.0 Manual reducer with handwheel:



2.0 Lever



	Component	Material	Specification
1	Indicator	Carbon steel	S235 JR
2	Spring pin	Spring steel	65Mn
3	Spring	Spring steel	65Mn
4	Side lever	Carbon steel	KT350-10
5	Main lever	Carbon steel	KT350-10

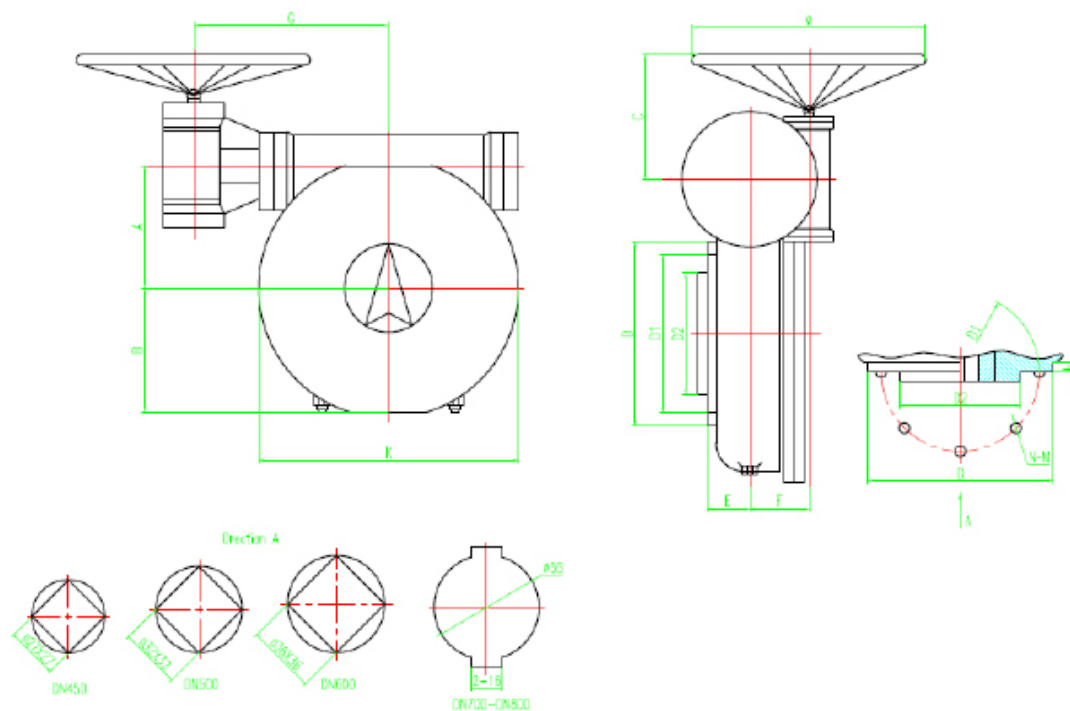
	Component	Material	Specification
1	Handwheel	Gray cast iron	EN 1561 (EN GJL-150)
2	Body	Gray cast iron	EN 1561 (EN GJL-200)
3	Cap	Gray cast iron	EN 1561 (EN GJL-200)
4	Seal	NBR	Commercial
5	Shaft	Carbon steel	ASTM A570 Grade 45
6	Endless screw	Carbon steel	ASTM A570 Grade 45

DN	50-80	100	125-150	200
L (mm)	234	290	290	400
L1 (mm)	216	265	265	374
H (mm)	32	32	32	45
h1 (mm)	22	25	25	29
h2 (mm)	9	10	10	14
S (mm)	3	3	3	3
Ø D (mm)	50	70	70	70
Ø D1 (mm)	12.6	15.77	18.92	22.1
T (mm)	9.02	11.15	12.75	15.9
2-R (mm)	2-R3.5	2-R5	2-R5	2-R5
Weight (Kg)	0.40	0.59	0.59	0.93

Actuator and valve diameter relation	
Model	DN Valve
3Dc-15	100
3Dc-15	150
3Dc-50	200
3Dc-50	250
3Dc-120	300
3Dc-120	350
3Dc-250	400
3DA-30/250	450
3DA-30/250	500
3DA-30/400	600
3DA-60/800	800

VA-V9-261 S06 Lug Type Butterfly Valve Gaer® PN16

3.1 Manual reducer with handwheel:



DN	3Dc-15	3Dc-50	3Dc-120	3Dc-250
A (mm)	45	63	78	120
B (mm)	128	179	200	287.5
C (mm)	105	152	164	287
D (mm)	90	125	125 / 140	175
D1 (mm)	70	102	102	140
E (mm)	36	46	46	59
F (mm)	28	34	36	54
G (mm)	226	313	307	373
n-M	4-M8	4-M10	4-M10	4-M16
Ø (mm)	150	300	300	400

Model	Output torque (N-m)	No. Winds
3Dc-15	150	6
3Dc-50	500	8
3Dc-120	1200	12.5
3Dc-250	2500	20
3DA-30/250	2500	133
3DA-30/400	4000	160
3DA-60/800	8000	176

Model	3DA-30/250	3DA-30/400	3DA-60/800
A (mm)	94	125	140
B (mm)	103.5	131	146
C (mm)	160	176	215
D (mm)	175	210	300
D1 (mm)	140	165	254
D2 (mm)	130	130	200
E (mm)	53	62	69
F (mm)	57	66	88
G (mm)	181	199.5	228
K (mm)	214	276	300
h (mm)	4	4	4
Ø (mm)	300	400	400
n-M	4-M16	4-M20	8-M16

