



DAV-LP-K

Vacuum (Kinetic) Valve

This valve has been designed for efficient discharge and intake of air in water transport systems, filtering systems, containers, and other locations where confined air could impair the system's operation.

The valve is designed for:

- Expelling the air at high flow velocity during the initial filling of the system
- Introducing large quantities of air when the pipe drains, maintaining atmospheric pressures in the pipe and preventing collapse and cavitation damage to the conduits

Properties:

The valve offers leak-proof sealing even at a low system pressure. The aerodynamic design of the valve enables air flow at very high velocities. The float remains open until water reaches the valve. The outlet port directs the "blowout" flow away, protecting sensitive devices and the operators. The valve's design contains a limited number of parts, allowing easy dismantling for maintenance.

Operation:

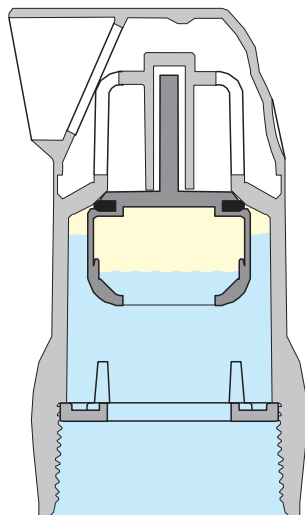
The DAV-LP-K valve has two modes of operation:

1. Vacuum-prevention, by admitting air into the pipeline. The pressure difference forces the float to drop to the "opened" position, allowing large volumes of air to enter the pipe.
2. Discharging large quantities of air at high flow velocities when the pipeline is being filled. When water reaches the valve, the float rises and seals the outlet.

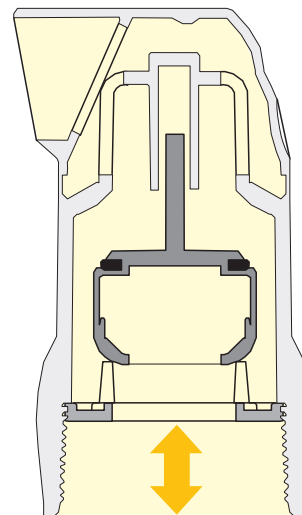
Technical Specifications:

- Operating pressure: 0.1 to 10 bar / 1.5 to 150 psi
- Maximal operating temperature: 60°C / 140°F
- 3/4", 1", 2" BSP or NPT threaded base - as per the customer's choice
- Materials: corrosion resistant reinforced plastic materials and synthetic rubber

Principle of operation:



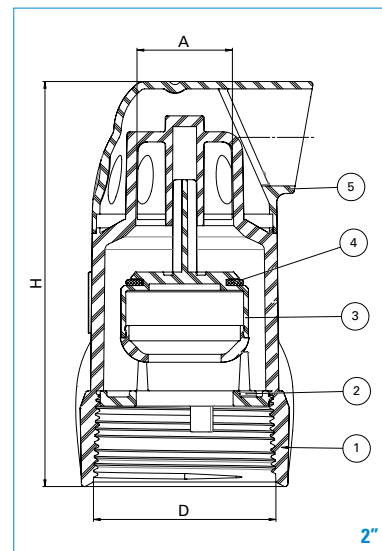
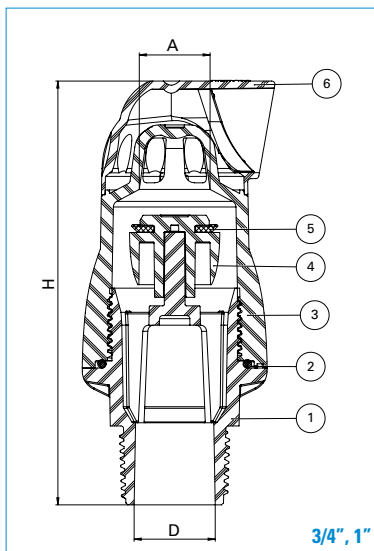
Pipe is full of water



Pipe is aerated

Parts list - 3/4", 1"

No	Description	Material
1	Base	PA GF
2	O-Ring	NBR
3	Body	PA GF
4	Float	POM
5	Seal	EPDM
6	Cover	POM



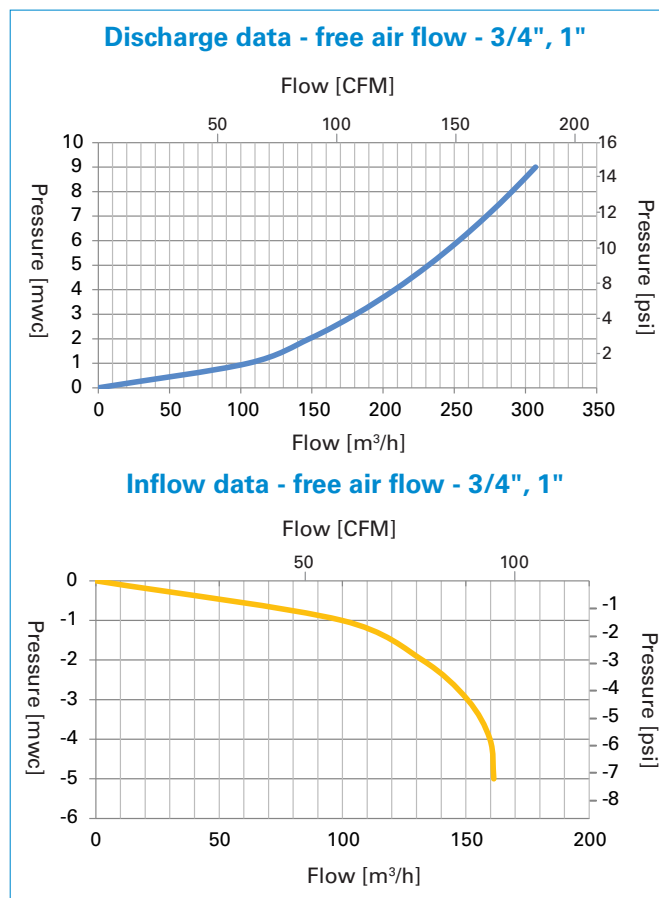
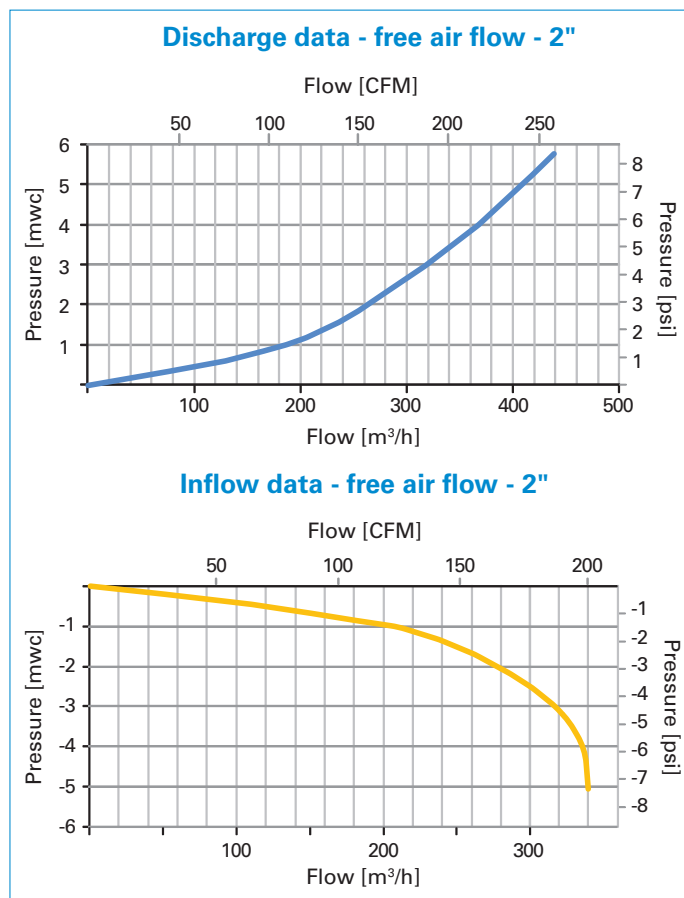
Parts list - 2"

No	Description	Material
1	Body	PA GF
2	Ring	PA GF
3	Float	POM
4	Seal	EPDM
5	Cover	PA GF

Dimensions:

Valve Dimension	20mm / 3/4"		25mm / 1"		50mm / 2"	
	SI	US	SI	US	SI	US
D - Thread	3/4" BSP	3/4" NPT	1" BSP	1" NPT	2" BSP	2" NPT
H - Height	132mm	5.2"	132mm	5.2"	132mm	5.2"
A - Nozzle Area	380mm ²	0.59 in ²	380mm ²	0.59 in ²	804mm ²	1.25 in ²
Weight	125 gr	0.27 lbs	125 gr	0.27 lbs	200 gr	0.4 lbs

Performance:



Ordering guide:

DAV-LP-□-K-□□□
 □ BSP or NPT
 □ 3/4", 1" or 2"



www.dorot.com