

DAV-MP-SA
Surge arresting device for DAV valves

Features:

- **Surge Arresting** - Automatically prevents water hammer pressure surges associated with air release valves operation.
- **Optimum performance** - Air outlet can be adjusted according to surge analysis results, on site to a required aero-dynamic performance. The SA addition is assembled on user selected valves only (at local high elevated points). The flow through other valves remains unrestricted.
- **Reliability** - Simple, durable mechanism, Can be serviced without having to put the air valve out of service.



Operation:

When air is admitted into the pipe, an in "Air Pocket" is created in the local high points where the Air / Vacuum valve is located. The returning flow re-fills the "pocket". Too-high velocity of the approaching water column may generate a pressure surge when it reaches the valve.

Air venting

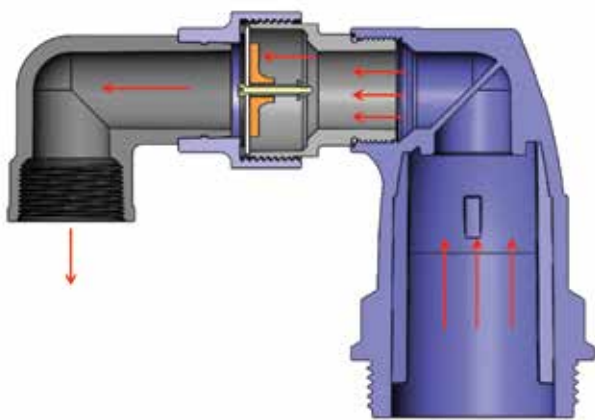
The Surge Arrestor addition of "DAV-MP" valves limits the air outflow, when the escaping air velocity exceeds a threshold value.

This optional addition creates a temporary, slow closing "Air Cushion" that decelerates the water velocity, preventing water hammer effect.

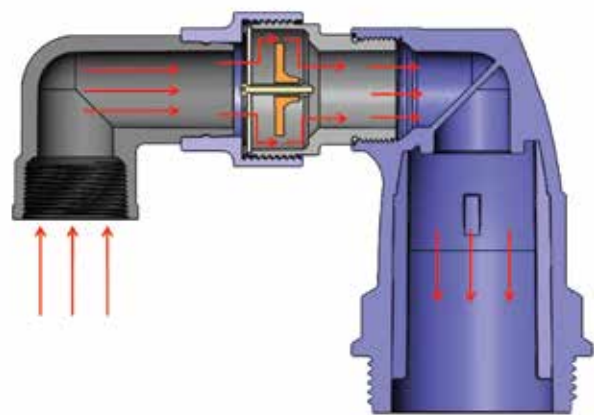
Vacuum Breaking (Air Intake)

Decrease or the pressure in the system to negative value and the simultaneous drainage of the valve chamber, forces the floats down, allowing the admittance of air into the pipe. The SA disc moves back and allowing unrestricted air flow into the system.

Principle of operation:



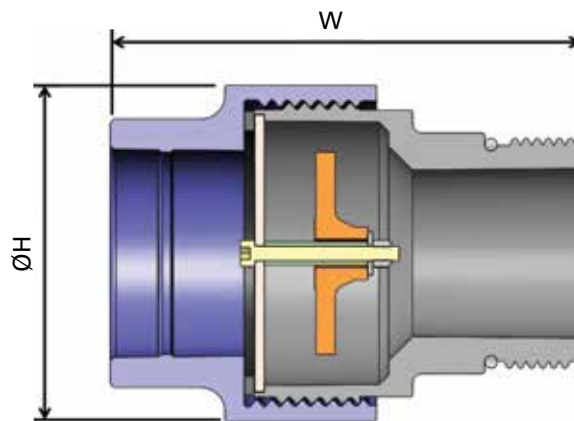
Air venting



Vacuum Breaking (Air Intake)

Dimensions:

Valve	DAV-P-SA	
	SI	US
H - Height	70 mm	2 ¹¹ / ₁₆ "
W - Width	98 mm	3 ¹³ / ₁₆ "



Aerodynamic Performance

