

**DAV-MP-1-A**

**Automatic Air-Valve, Metallic-Shield**

This valve is designed for an efficient release of entrapped air from the pipeline, while the network is at normal working pressure.

Due to the relatively large orifice, compared to other Automatic valves in the market, it can also release the air through initial filling of a small-diameter pipe, or admit air into it while it is drained.

**Properties:**

An Automatic air valve, that enables the release of air that accumulates in the liquid-filled pipeline. The valve will release the air at normal operation pressures of the pipeline.

The Float is made of naturally-buoyant material (specific weight lower than 1) and activates a sealing stripe, that closes the outlet port when the water fills the valve body.

On accumulation of air in the valve, loss of buoyancy causes the float to drop and to pull the strip, thus opening the air outlet.

The Hydraulic sealing of the orifice will provide a drip-tight closure at a pressure as low as 2mwc (3psi).

**Operation:**

Releasing air from a pressurized pipeline. Small quantities of air accumulate in high peaks of the pipeline and in the body of the valve.

The descending water level allows the float to drop.

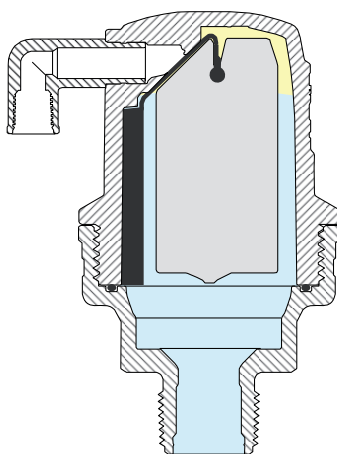


At a certain position the main float pulls down the seal, that partially opens the nozzle. The pressurized air can escape, the water level rises and the nozzle re-closes.

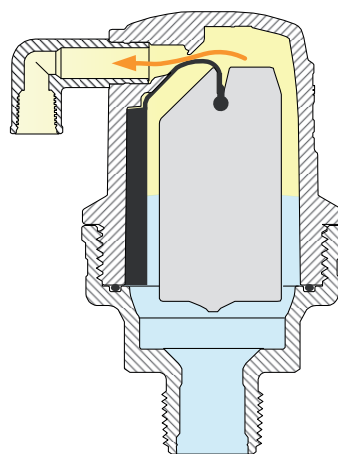
**Technical Specifications:**

- Operating pressure 0.1 bar / 1.5 psi to 25 bar / 360 psi
- 1" BSP or NPT threaded base - as per the customer's choice
- Cover material: Cast Iron  
Base material: Brass
- Internal parts: corrosion resistant, reinforced plastic materials and synthetic rubber

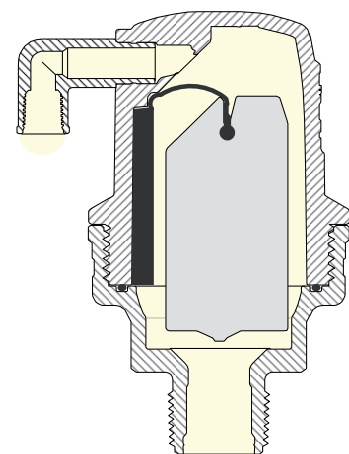
**Principle of operation:**



Pipe is full of water



Pressurized air accumulated in the valve, is released when the float drops down



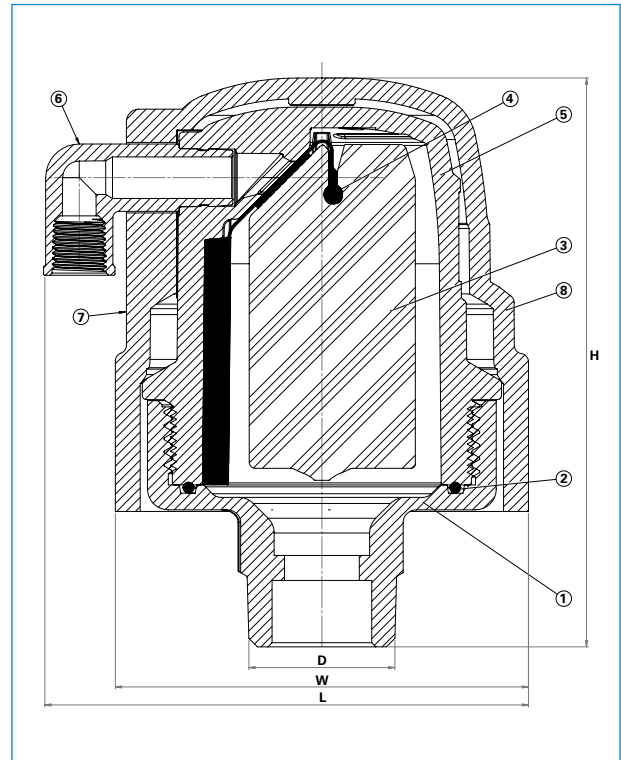
Pipe is aerated

### Parts list and specifications:

Part	Description	Material
1	Base	Brass
2	O ring	NBR
3	Automatic Float	Foamed Polypropylene
4	Automatic Seal	EPDM
5	Bonnet	PA6+30GF
6	Drainage Elbow	Polypropylene
7	ID Plate	AL
8	Metallic Cover	Cast Iron

### Dimensions:

Valve	25 mm / 1"	
	SI	US
H - Height	137 mm	5 <sup>3</sup> / <sub>8</sub> "
W - Width	99.5 mm	3 <sup>7</sup> / <sub>8</sub> "
D - Thread	1" BSP	1" NPT
A - Nozzle Area	12.85 mm <sup>2</sup>	0.02 in <sup>2</sup>
L - Total Width	116.5 mm	4 <sup>5</sup> / <sub>8</sub> "
E - Drainage Diameter	1/4" BSP	1/4" BSP
Weight	2 kg	4.3 lbs.



### Performance:

