

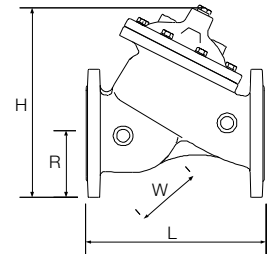
Technical data

Diameter	40mm / 1½"	50mm / 2"	65mm / 2½"	80mm / 3"	100mm / 4"	150mm / 6"
Nominal flow [m³/h / GPM]	11 / 50	20 / 80	20 / 80	40 / 180	75 / 325	160 / 705
Max. continuance flow [m³/h / GPM]	25 / 110	40 / 175	40 / 175	90 / 400	160 / 705	350 / 1540
Max. intermittent flow [m³/h / GPM]	35 / 160	55 / 250	55 / 250	145 / 640	225 / 995	510 / 2240
Minimal flow	<1 m³/h / <5 GPM					
Kv [m³/h@1bar] / Cv [GPM@1psi]	45 / 53	45 / 53	45 / 53	110 / 128	175 / 204	400 / 467
K [dimensionless]	2	4.9	14.1	5.4	5.2	5

$$\Delta P = \left(\frac{Q}{K_v}\right)^2 \quad H = \frac{K V^2}{2g}$$

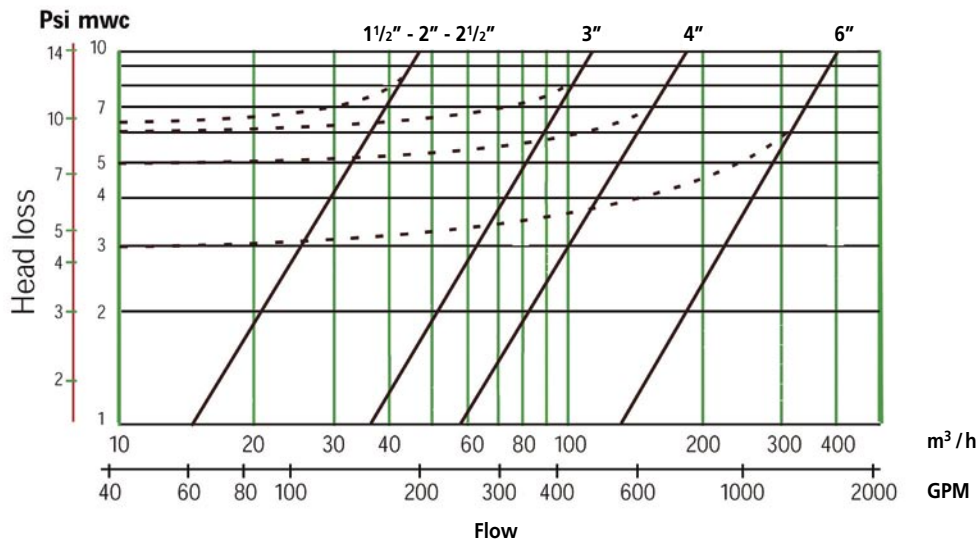
Dimensions and Weights

	Diameter mm inch	40(Th)	50(Th)	50A(Th)	50A(F)	50(F)	65(F)	80(F)	100(F)	150(F)
		1½"	2"	2"	2"	2"	2½"	3"	4"	6"
L	[mm / Inch]	200/7.8	205/8	174/6.8	200/7.8	200/7.8	210/8.2	285/11.2	300/11.8	385/15.1
H		160/6.3	160/6.3	178/6.9	200/7.8	230/9	215/8.5	290/11.4	330/13	435/17.1
W		116/4.6	113/4.5	115/4.5	160/6.2	165/6.5	185/7.3	200/7.8	20/86	285/11.1
R		38/1.5	38/1.5	74/2.9	80/3.1	85/3.3	93/3.6	105/4.1	110/4.3	145/5.7
*Weight [Kg / lb.]		4.8/10.7	4.6/10.2	5.2/11.6	9.8/21.9	9/20	11/24	18/40	25.8/56.9	60/133



F - Flanged Th - Threaded A - Angle

Flow chart



--- 2 way control system
— 3 way control system

Wide body shape prevents cavitation damage, and ensures very low noise during operation.

Coating: UV resistant, and certified for use in potable water applications

Wear & corrosion resistant SST seat

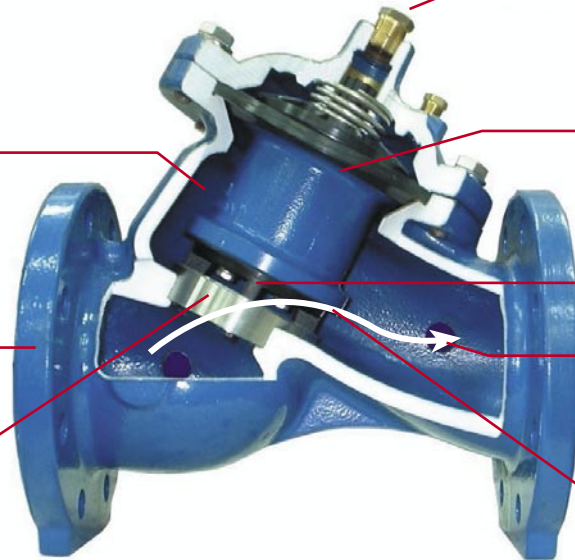
Option for SST indicator rod

Innovative diaphragm-trim assembly guided by low-friction top & bottom guides

LTP® (Linear Throttling Plug) for superior low flow regulation

Option for SST inserts on control ports

Special valve design: reduction in head-losses



Technical specifications

Available sizes	40 to 150 mm	(1½" to 6")
Operating pressure	0.5 to 17 bar	(8 to 250 psi)
Temperature range	60° C	(140° F)
End connections	Valves diameters 40-150 mm (1½" - 6") supplied in the following international flange standards: ISO2084, 2441, 5752; ANSI B16; AS10; JIS B22. Valves diameters 40-50 mm (1½"-2") supplied also in the following thread standards: F-BSP; F-NPT Other standards are available upon request.	
Coating	Electrostatically applied, oven baked Polyester. Epoxy on request.	

Materials

Component No.	Description	Materials
1	Body	Cast Iron
2	Trim: LTP, Guides and top diaphragm retainer	Composite Materials (WRc approved GRP)
3	Trim bolts	SST
4	Trim cylinder	Cast Iron / SST Option
5	Cover	Cast Iron
6	Spring	SST
7	Cover bolts	SST
8	Washer	SST
9	Diaphragm	Rubber
10	Plug seal	Rubber
11	Seat	SST

Components

