

## SERIES 80

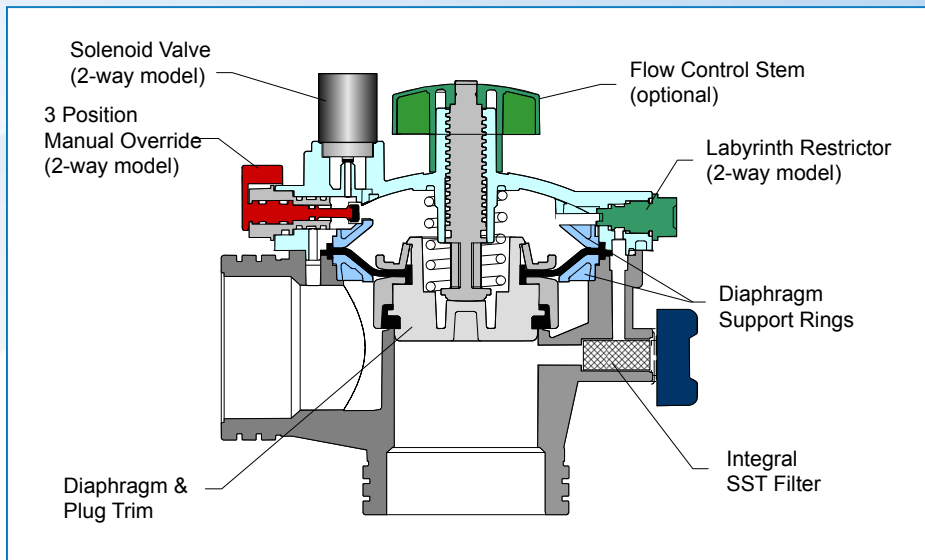
# Globe & Angle Irrigation Valves

New valve for agricultural,  
irrigation, greenhouses,  
filtration systems and public  
turf irrigation

### Features and Benefits

- Simple, reliable and economical
- Angle or straight, globe- pattern valve, activated by a fully-supported diaphragm
- Durable, corrosion free materials
- Unique clog-free labyrinth inlet of the activation water on electric 2-way valves
- 3 Position Manual override on electric 2-way valves
- Operation at wide range of flow rates, from near zero to the maximal flow
- Electric 2-way or hydraulic / electric 3-way actuation
- All of the control system's devices are assembled on the valve's bonnet. No tubes are connected to the body
- Removable flow control stem handle (optional)
- Integral stainless-steel EasyClean® filter

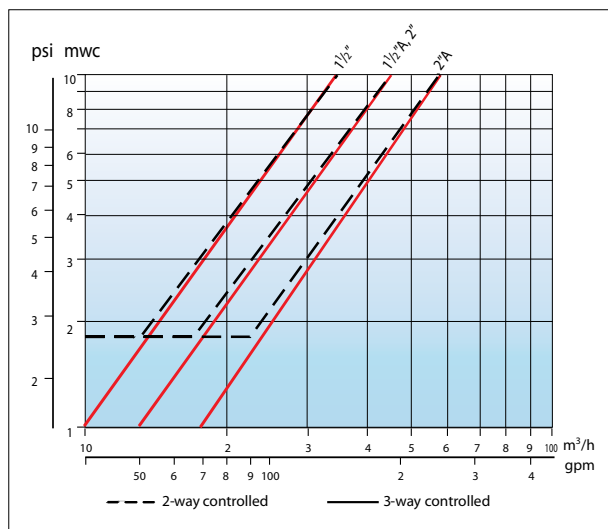




## Technical Data

### Pressure losses

Flow		Pressure loss (3-way valves)							
		40mm, 1 1/2"				50mm, 2"			
		Angle		Straight		Angle		Straight	
gpm	m <sup>3</sup> /h	psi	bar	psi	bar	psi	bar	psi	bar
22	5	0.19	0.01	0.33	0.02	0.11	0.01	0.19	0.01
44	10	0.75	0.05	1.33	0.09	0.43	0.03	0.75	0.05
88	20	3	0.21	5.33	0.37	1.72	0.12	3	0.21
132	30	6.74	0.46	12	0.83	3.9	0.27	6.74	0.46
176	40					6.9	0.48	12	0.83



### Dimensions

		40mm, 1 1/2"		50mm, 2"	
		Angle	Straight	Angle	Straight
Height	mm	171	159	171	166
	inch	6.73	6.23	6.73	6.54
Width	mm	163	163	163	163
	inch	6.42	6.42	6.42	6.42
Length - Straight Center to outlet-Angle	mm	88	165	88	165
	inch	3.46	6.5	3.46	6.5
Weight	kg	0.8	0.9	0.8	0.9
	lbs	1.8	2	1.8	2

### Operation data

		40mm, 1 1/2"	50mm, 2"
Max. Flow	m <sup>3</sup> /hr	25	40
	gpm	110	176
Pressure range	bar	0.5 - 10	
	psi	7 - 145	
Max. Water Temp.	°C	60	
	°F	140	
Max. Ambient Temp.	°C	52	
	°F	125	

### Electrical Specifications

- Standard: 24 VAC 50/60 Hz. ±10%  
Optional: other voltage rating or latching DC operators
- Current: 0.26 Amp Inrush; 0.12 Amp holding



A Miya  
Group company

UPDATED 08.10

## SERIES 80

# 80-1", 80-3/4" Turf Irrigation Valves

New electric valve for gardens, parks  
and golf courses

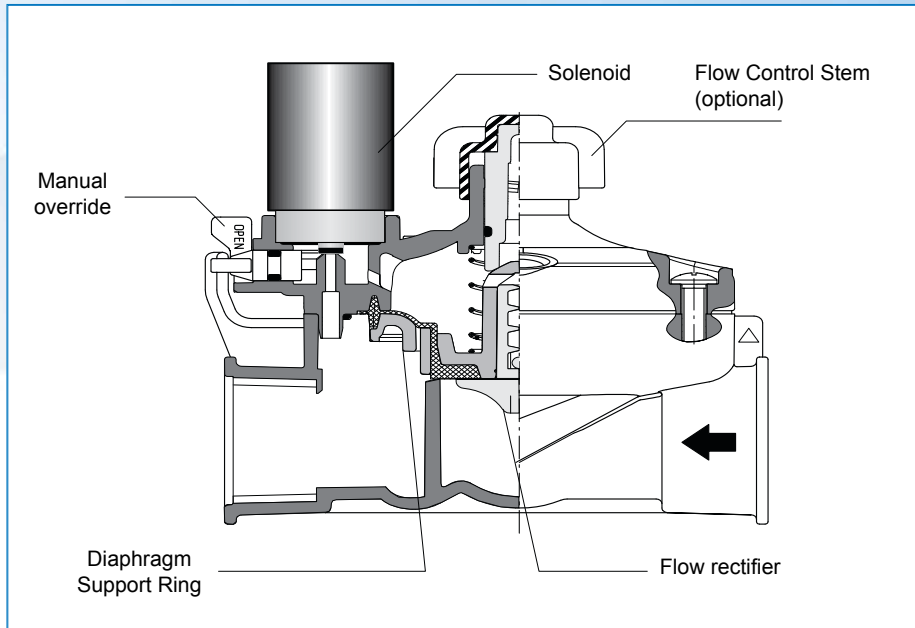


### Features and Benefits

- Simple, reliable and economical
- Globe- pattern valve, activated by a fully- supported diaphragm
- Durable, corrosion free materials
- Unique clog- free labyrinth inlet of the activation water
- Operation at wide range of flow rates, from near zero to the maximal flow
- Internal bleed manual override opening
- Removable flow control stem handle (optional)

No filters

No cleaning needle



## Technical Data

### Pressure losses

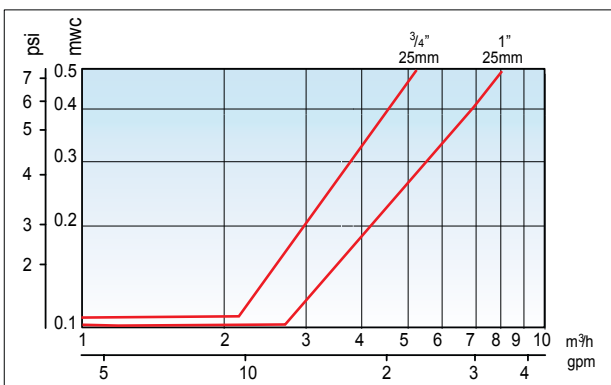
flow		Pressure loss			
		80- $\frac{3}{4}$ "		80-1"	
gpm	m <sup>3</sup> /h	psi	bar	psi	bar
2.2	0.5	1.42	0.10	1.42	0.10
4.4	1	1.60	0.11	1.42	0.10
8.8	2	1.65	0.11	1.42	0.10
13.2	3	2.90	0.20	1.65	0.11
17.6	4	4.35	0.30	2.61	0.18
22.0	5	6.82	0.47	3.63	0.25
26.4	6			4.83	0.33
30.8	7			6.09	0.42

### Dimensions

		20mm, $\frac{3}{4}$ "	25mm, 1"
Height	mm	109	112
	inch	4.3	4.4
Width	mm	75	75
	inch	3	3
Length - Straight Center to outlet-Angle	mm	98	103
	inch	3.9	4.1
Weight	kg	0.28	0.29
	lbs	0.62	0.64

### Operation data

		20mm, $\frac{3}{4}$ "	25mm, 1"
Max. Flow	m <sup>3</sup> /hr	6	10
	gpm	26	44
Pressure range	bar	0.5-10	
	psi	7-145	
Max. Water Temp.	°C	60	
	°F	140	
Max. Ambient Temp.	°C	52	
	°F	125	



### Electrical Specifications

- Standard: 24 VAC 50/60 Hz.  $\pm 10\%$   
Optional: other voltage rating or latching DC operators
- Current: 0.26 Amp Inrush; 0.12 Amp holding