



SUPER GAL High-Capacity Plastic Control Valve



The SUPER GAL is an innovative 3" plastic valve designed for greenhouse, nursery and drip irrigation, agriculture and landscape applications. Designed for a variety of water control applications, the SUPER GAL is made out of sturdy, durable, corrosion resistant, high-quality materials.

Equipped with a direct-sealing diaphragm, the SUPER GAL is operated by the pressure in the pipeline and is manufactured in a variety of models including throttling, built-in solenoid operator, various end connection options, and more.

With its simple design, the SUPER GAL allows maximum dependability at a minimum level of maintenance, while yielding optimal irrigation operation.

Product Advantages

- High-capacity design with extremely low pressure losses
- Very low opening pressure
- Strong and reliable, even under harsh conditions
- Super compact structure and minimal parts makes it simple to install and maintain
- Versatile design: 3 Way and 2 Way operation
- Corrosion resistant high quality materials

Benefits

- Cost-saving operation based on low inrush current solenoids
- Simple inline installation for easy, low-cost maintenance
- Flow control stem enables manual control from full closure to maximum capacity
- Allows the combination of flanged, threaded and grooved inlet and outlet options

Highest Quality Materials

- Body and bonnet: Glass Reinforced Polyamide (GRP)
- Diaphragm: Reinforced NR
- Nuts, bolts and washers: Stainless Steel 304
- Spring: Stainless Steel AISI 302

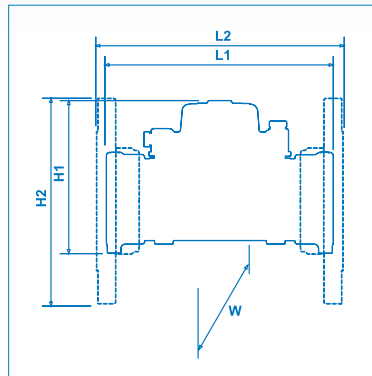


SUPER GAL



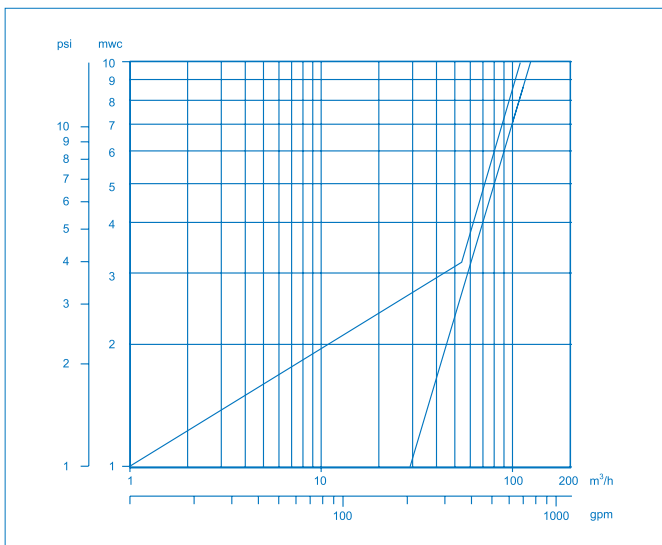
Dimensions

	Metric	US
Length	L1 - 260 mm	L1 - 10.24"
	L2 - 280 mm	L2 - 11.02"
Height	H1 - 170 mm	H1 - 6.69"
	H2 (80 mm) - 210 mm	H2 (3") - 8.27"
	H2 (100 mm) - 228 mm	H2 (4") - 8.98"
Width	114 mm	4.48"
Weight	1.4 Kg	3.1 Lbs
C.C Volume	250 cc	15.25in ³



Dorot Control Valves

With 300 employees globally, Dorot is a privately owned company and a member of the Miya Group. The company's global operations are managed from its headquarters in Israel. Dorot has subsidiaries in the United States, Mexico, Italy, China, Australia and Argentina, and partnerships with hundreds of manufacturers, integrators, distributors and customers around the world.



1. 2 Way Model
2. 3 Way Model

Hydraulic Data

	Metric	US
Max. Continuous Flow	100 m ³ /h	440 gpm
Max. Intermittent Flow	145 m ³ /h	640 gpm
Min. Pressure	0.4 bar	6 psi
Max. Pressure	10 bar	145 psi
Max. Temperature	60°C	140°F
Kv / Cv	120	140
K	4.5	4.5

