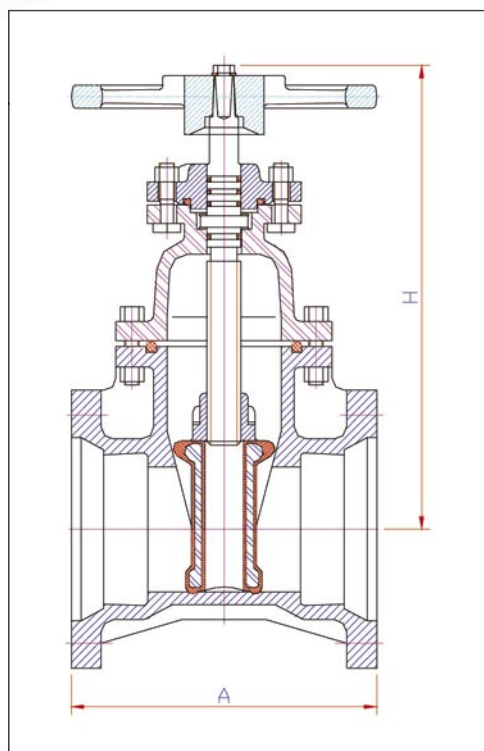


Gate Valve

AWWA C509 • Resilient Seated • 200PSI • NRS Type • MJxMJ Ends



Model Number

DGV-MJ-E	Stainless Steel Stem, EPDM Coated Wedge
DGV-MJ-N	Stainless Steel Stem, NBR Coated Wedge

Pressure and Temperature

Max. Operating Pressure	200PSI
Working Temperature	EPDM: -10°C to 120°C / 50°F to 248°F
	NBR: -10°C to 82°C / 50°F to 179.6°F
Suitable Media	Water, Oil, Gas

Materials List

PART NAME	MATERIAL	BS SPEC.
Body	Ductile Iron	ASTM A536 65-45-12
Wedge	DI+EPDM/NBR Coated	ASTM A536 65-45-12
Stem Nut	Bronze	ASTM B62 C83600
O-Ring	EPDM/NBR	Commercial
Stem	Stainless	Steel AISI 420
Bonnet	Ductile Iron	ASTM A536 65-45-12
Thrust Washer	PTFE	Commercial
Gland	Cast Iron	ASTM A126 CL.B
Hand wheel	Ductile Iron	ASTM A536 65-45-12

Dimensions

Size	3" (80)		4" (100)		6" (150)		8" (200)		10" (250)		12" (300)	
	mm	inch	mm	inch	mm	inch	mm	inch	mm	inch	mm	inch
A	229	9	254	10	292	11 ³ / ₈	318	12 ¹ / ₂	375	14 ¹¹ / ₁₆	378	14 ¹³ / ₁₆
H	335	13 ¹ / ₈	390	15 ⁵ / ₁₆	460	18 ¹ / ₈	570	22 ³ / ₈	650	25 ¹ / ₂	774	30 ³ / ₈
Hand Wheel O.D	254	10	254	10	306	12	355	13 ⁷ / ₈	445	17 ¹ / ₂	445	17 ¹ / ₂
Weight kg/lbs	29	64	55	121	81	178 ¹ / ₂	115	253 ¹ / ₂	186	410	290	639

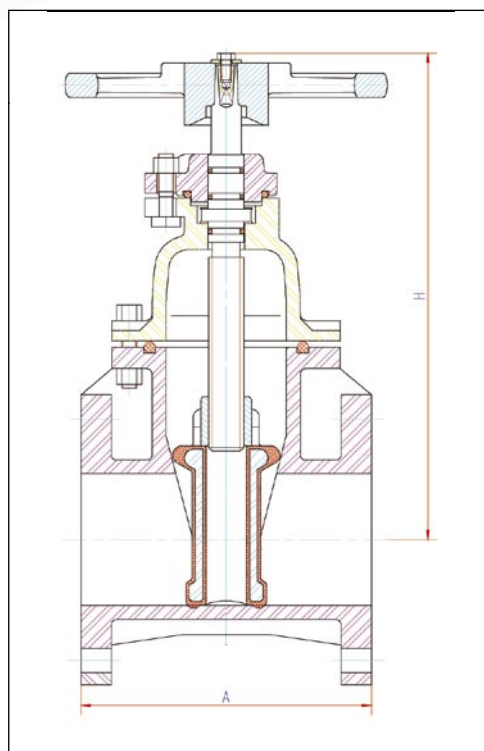
Note:

1. The design and dimensions conform to AWWA C509
2. MJ Ends comply with ANSI/AWWA C111
3. FBE Coated inside and outside
4. Design & material are subject to change without notice



Gate Valve

AWWA C509 • Resilient Seated • 200PSI • NRS Type Flange x Flange



Model Number

DGV-E	Stainless Steel Stem, EPDM Coated Wedge
DGV-N	Stainless Steel Stem, NBR Coated Wedge

Pressure and Temperature

Max. Operating Pressure	200PSI
Working Temperature	EPDM: -10°C to 120°C / 50°F to 248°F
	NBR: -10°C to 82°C / 50°F to 179.6°F
Suitable Media	Water, Oil, Gas

Materials List

PART NAME	MATERIAL	BS SPEC.
Body	Ductile Iron	ASTM A536 65-45-12
Wedge	DI+EPDM/NBR Coated	ASTM A536 65-45-12
Stem Nut	Bronze	ASTM B62 C83600
O-Ring	EPDM/NBR	Commercial
Stem	Stainless	Steel AISI 420
Bonnet	Ductile Iron	ASTM A536 65-45-12
Thrust Washer	PTFE	Commercial
Gland	Cast Iron	ASTM A126 CL.B
Hand wheel	Ductile Iron	ASTM A536 65-45-12

Dimensions

Size	2" (50)		2 1/2" (65)		3" (80)		4" (100)		6" (150)		8" (200)		10" (250)		12" (300)	
	mm	inch	mm	inch	mm	inch	mm	inch	mm	inch	mm	inch	mm	inch	mm	inch
A	178	7	190	7 3/8	203	8	229	9	267	10 1/2	292	11 3/8	330	13	356	14
H	248 1/2	9 11/16	270	10 5/8	335	13 1/8	390	15 5/16	460	18 1/8	570	22 3/8	650	25 1/2	774	30 3/8
Hand Wheel O.D	184	7 3/16	184	7 3/16	254	10	254	10	306	12	355	13 7/8	445	17 1/2	445	17 1/2
Weight kg/lbs	20	44	23	50	29	64	55	121	81	178 1/2	115	253 1/2	186	410	290	639

Note:

1. The design and dimensions conform to AWWA C509
2. Flanged to ANSI B16.1 Class 125. Other flange types are available
3. FBE Coated inside and outside
4. Design & material are subject to change without notice

Gate Valve

DIN3352 PN16 • Resilient Seated • NRS Type

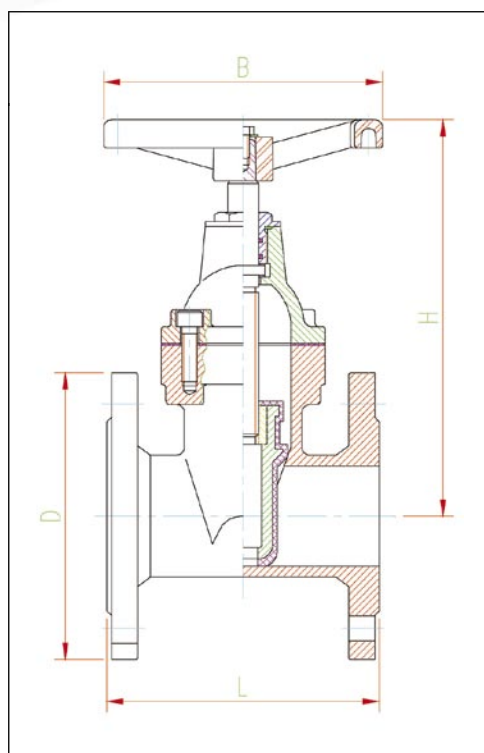


Figure Number

DGV-F4-E	Stainless Steel Stem, EPDM Coated Wedge
DGV-F4-N	Stainless Steel Stem, NBR Coated Wedge

Pressure and Temperature

Nominal Pressure	16 bar
Working Temperature	EPDM: 16 bar at -10°C to 120°C / 50°F to 248°F
	NBR: 16 bar at -10°C to 82°C / 50°F to 179.6°F
Suitable Media	Water, Oil, Gas

Materials List

PART NAME	MATERIAL	BS SPEC.
Body	Ductile Iron	ASTM A536 65-45-12
Wedge	DI+EPDM/NBR Coated	ASTM A536 65-45-12
Stem Nut	Brass	ASTM B16 C36000
Stem	Stainless Steel	AISI 420
Bonnet	Ductile Iron	ASTM A536 65-45-12
Thrust Cap	Brass	ASTM B16 C36000
Hand wheel	Ductile Iron	ASTM A536 65-45-12

Dimensions

Size (DN)	50	65	80	100	125	150	200	250	300
L	150	170	180	190	200	210	230	250	270
H	207	233	260	285	340	397	467	567	625
B	160	200	200	200	250	250	320	370	370
D	165	185	200	220	250	285	340	405	460
Weight kg/lbs	10/22	14/30	16/35	22/48.5	29/64	40/88	60/132	98/216	117/258

Note:

1. Designed and tested in accordance with DIN3352
2. Face to face dimensions are according to DIN3202 F4 series
3. Flanges drilled to DIN2533 PN16, Other flange types available
4. Design & material are subject to change without notice
5. FBE Coated

Gate Valve

BS5163 Type A • Resilient Seated • NRS Type • PN16

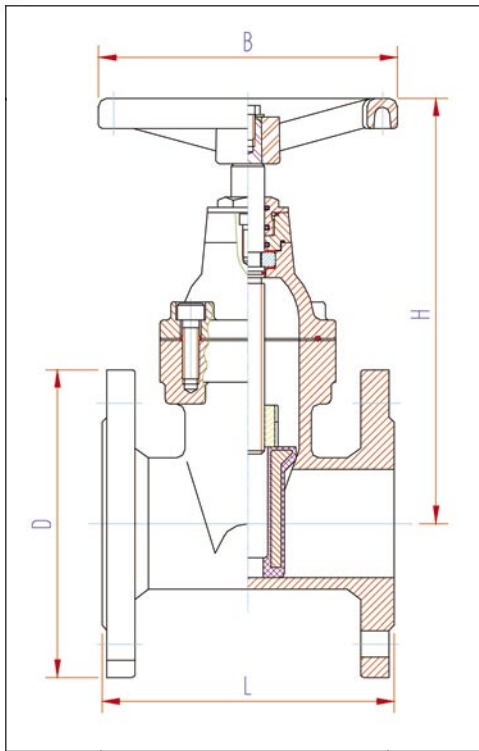


Figure Number

DGV-A-E	Stainless Steel Stem, EPDM Coated Wedge
DGV-A-N	Stainless Steel Stem, NBR Coated Wedge

Pressure and Temperature

Nominal Pressure	16 bar
Working Temperature	EPDM: -10°C to 120°C / 50°F to 248°F
	NBR: -10°C to 82°C / 50°F to 179.6°F
Suitable Media	Water, Oil, Gas

Materials List

PART NAME	MATERIAL	BS SPEC.
Body	Ductile Iron	1563 EN-GJS-500-7
Wedge Disc	DI+EPDM/NBR Coated	1563 EN-GJS-500-7
Stem Nut	Brass	BS 2874 CZ 124
Stem	Stainless Steel	BS 970 420 S37
Bonnet	Ductile Iron	1563 EN-GJS-500-7
Thrust Cap	Cast Iron	1561 EN-GJL250
Handwheel	Ductile Iron	1563 EN-GJS-500-7
Bolt	Carbon steel	BS 060A35
Washer	Carbon steel	BS 060A35

Dimensions

Size (DN)	DN50	DN65	DN80	DN100	DN125	DN150	DN200	DN250	DN300
L	178	190	203	229	254	267	292	330	356
H	207	233	260	285	340	397	467	567	625
B	160	200	200	200	250	250	320	370	370
D	165	185	200	220	250	285	340	405	460
Weight kg/lbs	20/44	22/48.5	28/61	39/86	60/132	72/158	111/244	178/392	273/601

Note:

1. Designed and tested in accordance with the latest editions of BS5163
2. Flanged to BS4504, PN16. Other flange types available
3. Fusion bonded epoxy coating
4. Hand wheel or operating nuts available
5. Design, dimensions and/or materials are subject to change without notice