

60ANC-1½ Normally-Closed Valve

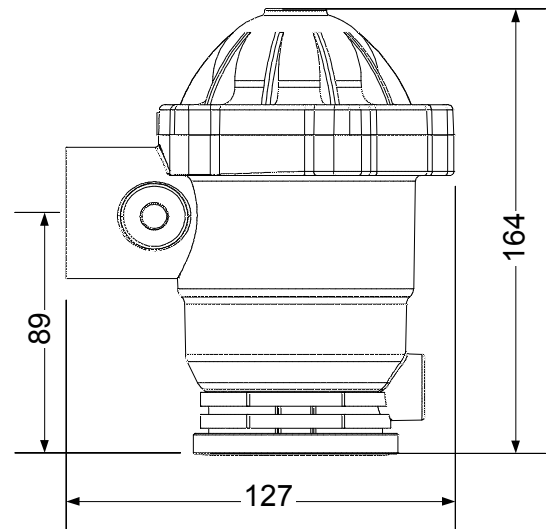


General description

- The 60ANC is a Normally- Closed Hydraulic Valve, designed to control the flushing process of industrial filters. It can be used for any application that requires Drip-tight, Normally- Closed control.
- The valve is not suitable for regulation of the flow or pressure. It should be used for On / Off applications only.
- The valve is made of Reinforced Polypropylene material. All the rubber components are made of Synthetic materials.
- The metal parts: spring and bolts, are of SST material.

Features

- Fast reaction to Open / Close control
- Tough and durable construction.
- Resistance to corrosive liquids
- Internal trim designed for easy disassembly and maintenance, by removing the bonnet and pulling out trim (as a cassette).
- Angle- pattern provides low energy loss.
- Drip- tight sealing at Zero pressure



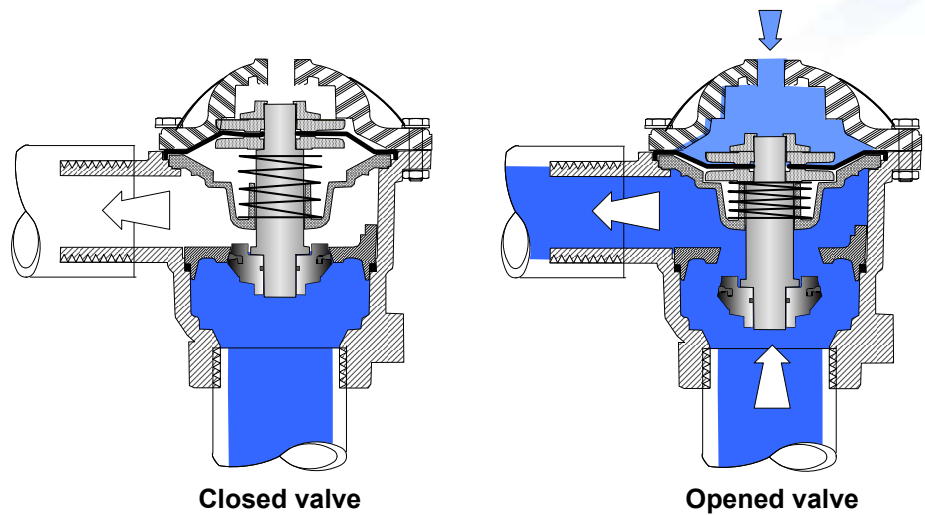
Technical Specifications

	SI	US
Operating pressure range	0.4-8 barg	15-150 psi
Temperature range	0-60°C	32-140°F
Inlet (Female thread) Outlet (male thread)	40mm BSP	
Command ports (optional)	1/4" NPT / BSP [on request]	
Kv / Cv Factor	25 (m ³ /h @ = 1 BAR)	29 (GPM @ = 1 PSI)
Min. Command pressure	Equal or larger than 60% of inlet pressure, Min. 0.4 barg	

60ANC-1½

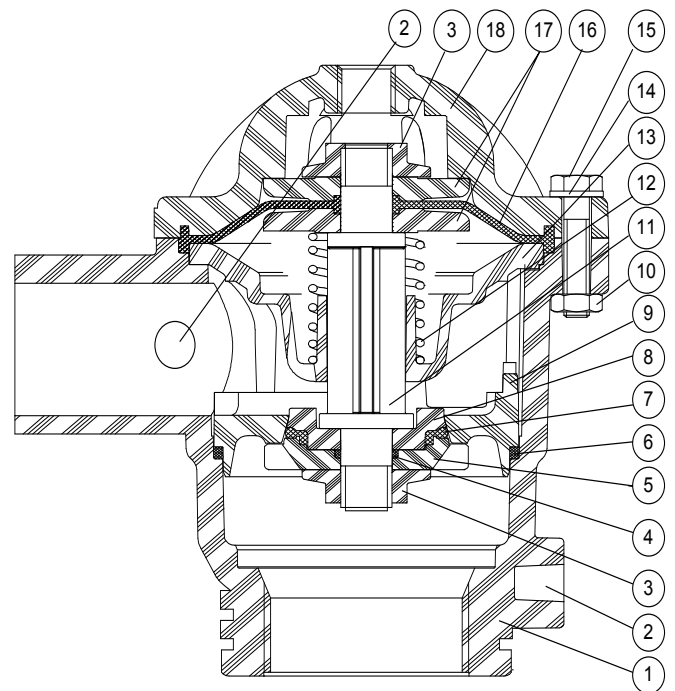
Normally-Closed Valve

Operating modes



Components

Part	Description	Material
1	Body	PPGF
2	Control port (optional)	
3	Locking nut	PPGF
4	O-Ring 2-2111	NBR *
5	Seal disk	PPGF
6	O-Ring 2-145	NBR *
7	Seal	EPDM
8	Top seal disk	PPGF
9	Seat	PPGF
10	Nut	SST
11	Shaft	PPGF
12	Spring	SST
13	Diaphragm seat	PPGF
14	Washer	SST
15	Bolt	SST
16	Diaphragm	EPDM
17	Diaphragm disk	PPGF
18	Bonnet	PPGF



* Viton O-rings can be supplied on request.