



DVM-A

Volumetric Water Meter



Application

The DVM-A model Water meter is designed for domestic use for Vertical or horizontal installation. Available in sizes 1/2", 5/8" and 3/4".

The working principle is based on a small rotating "star" in the center of the dial plate helps to detect even the smallest flow through the meter.

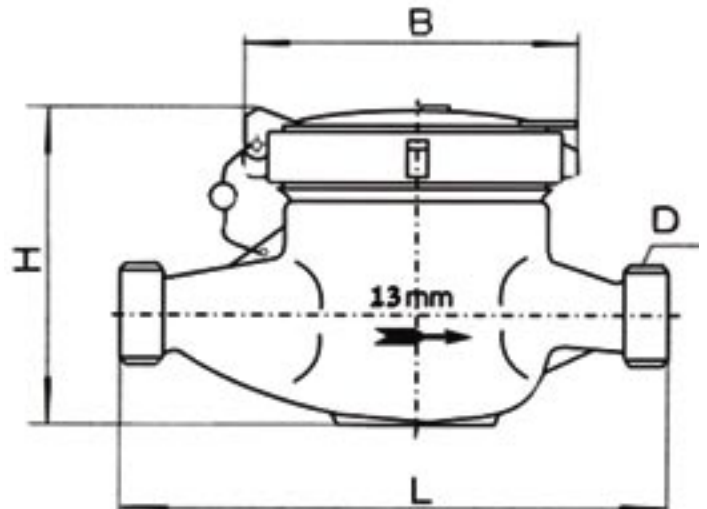
By counting the piston rotation cycles, the register records the water volume that passed.

Precise measurement in a vast range of flows.

Equipped with a sensitive revolving star sensitive to minimum flow, which allows detection of any leakage even the smallest one.

Features

- Body made of Bronze
- Hermetically Sealed register
- Magnetic drive
- Maximal Working pressure 16BAR
- External Epoxy painted
- Internal Filter
- Connectors and nipples included
- Comply with AWWA C-700
- Non return valve – optional
- Preparation for remote reading
- Magnetic shield
- Metrological class – C
- Class D – on request
- Maximum working temperature 50° C



Volumetric Water Meter

Features

Model	DN	Class	Qmax m ³ /h	Qn m ³ /h	Qt L/h	Qmin L/h	Min. Reading	Max. Reading
DVM-A-13	13	C	3	1.5	22.5	15	0.0001	99999
DVM-A-16	16	C	3	1.5	22.5	15	0.0001	99999
DVM-A-20	20	C	5	2.5	37.5	25	0.0001	99999

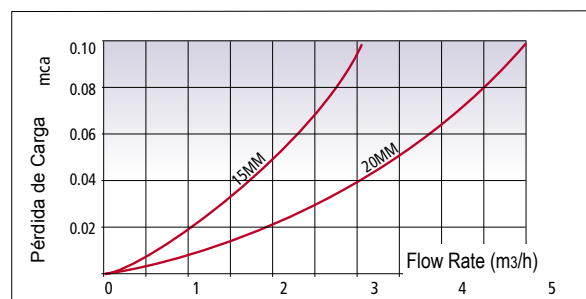
Accuracy Range

Qmax	± 2%
Qn	± 2% (Nom. Flow)
Qt	± 2% (Transition Flow)
Qmin	± 5% (Min. Flow)

Dimensions and Weights

Model	DN	Length (mm) L	Width (mm) B	Height	Weight Kg	Thread D
DVM-A	13	165 / 190	95	115	1.7 / 2	G 3/4
DVM-A	16	190	95	115	2	G 3/4
DVM-A	20	190	100	126	2	G 1

Pressure Loss



Accuracy Curve

