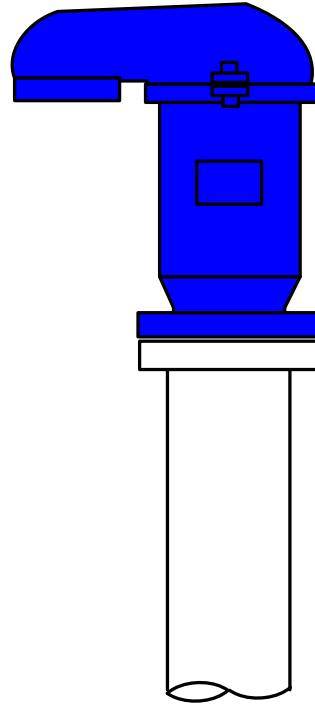


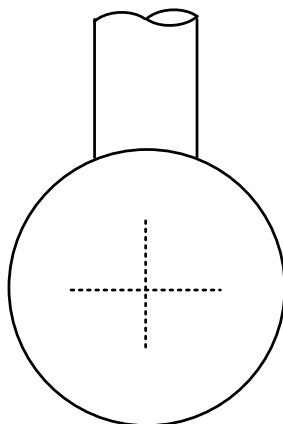
DOROT AIR VALUE, DAV-MS AND DAV-MH SERIES INSTALLATION

The air valve must only be installed in a vertical position.

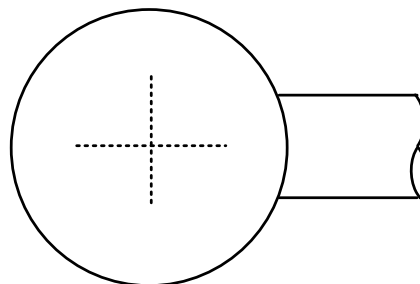
CORRECT



The valve must connect to the piping from above, never from the side.

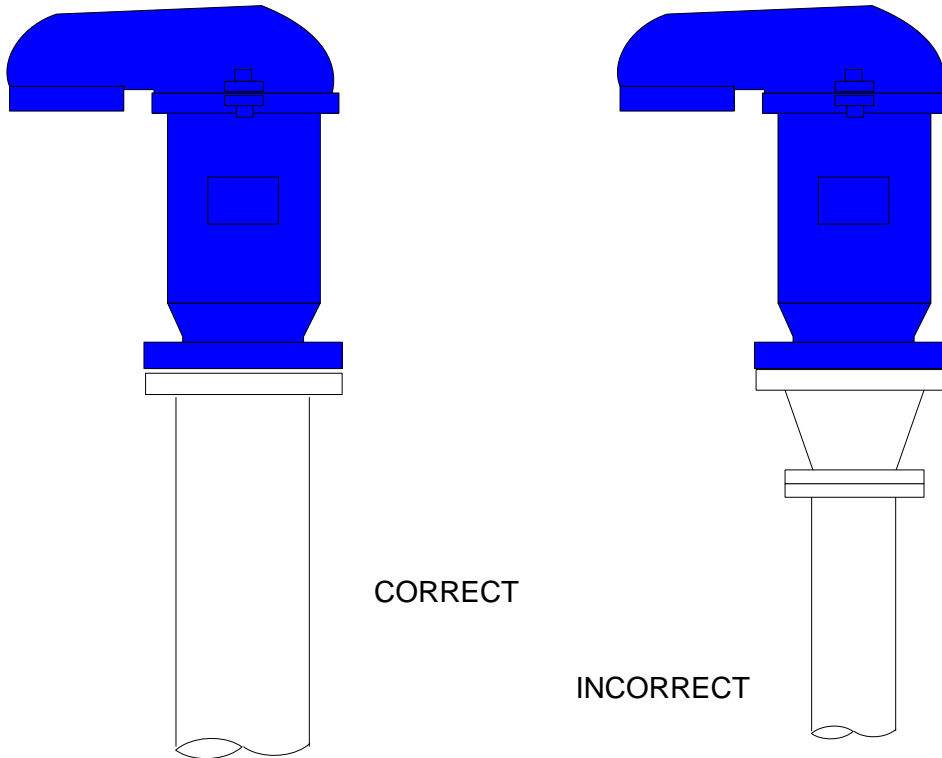


CORRECT

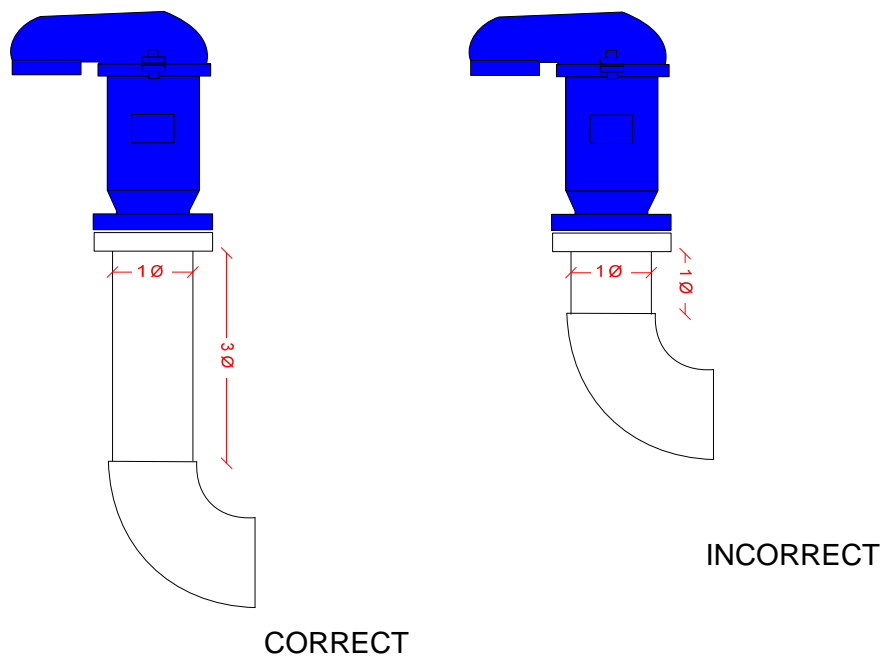


INCORRECT

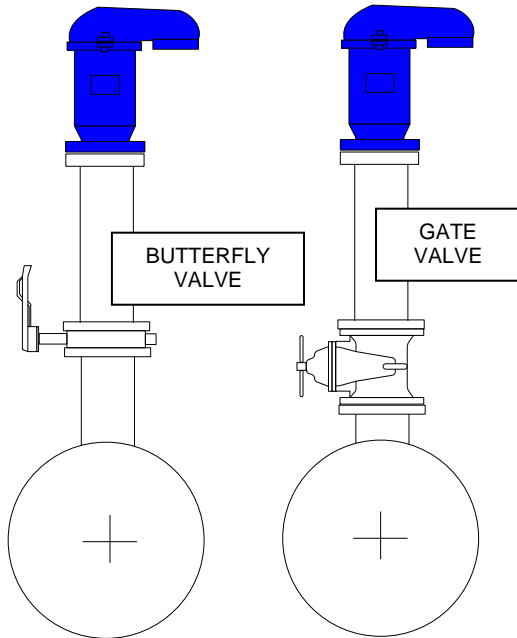
The pipe immediately in front of the valve must be of the same diameter or greater than the air valve.



The length of the pipe immediately in front of the valve must be at least three times its diameter, to prevent a vortex effect from reducing the valve's output.

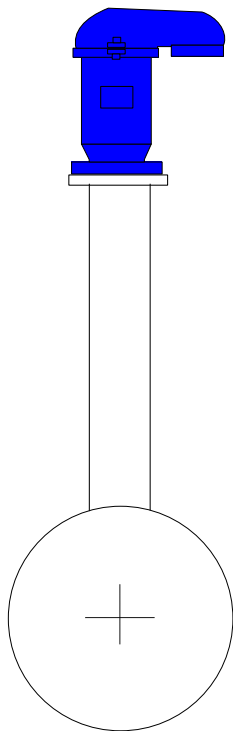
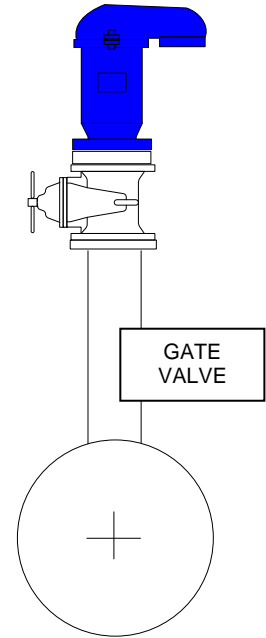


A shutoff valve must be installed between the piping and the air valve so that future maintenance may be performed. This shutoff valve can be a butterfly valve, a sluice or gate valve, etc. It must be of the same diameter or greater than the air valve.

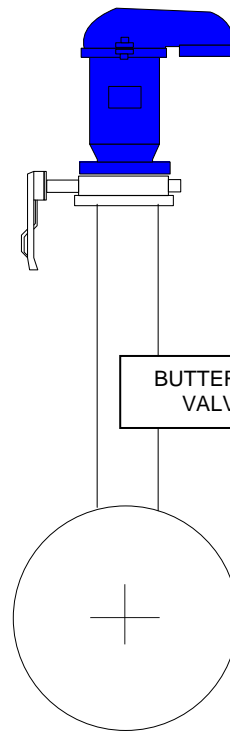


CORRECT

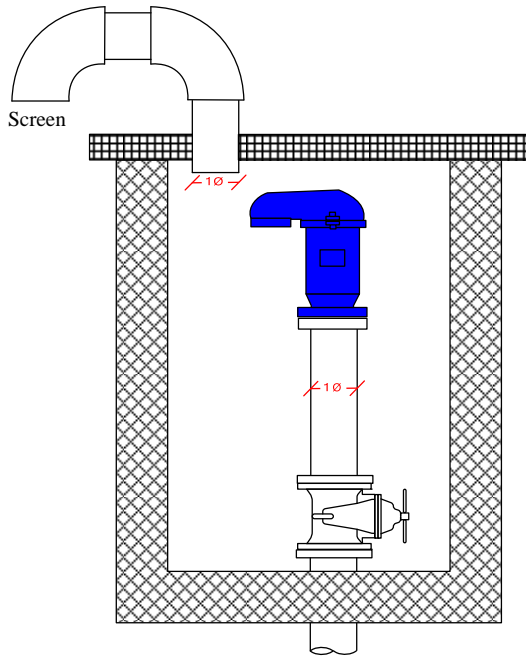
Since a gate valve allows full flow, it can be installed immediately in front of the air valve. If possible, it is recommended to use a pipe whose length is three times its diameter.



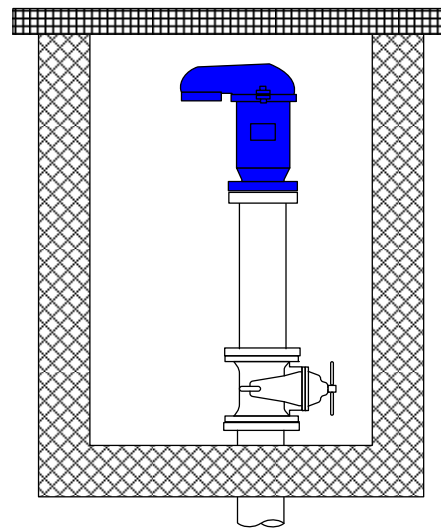
INCORRECT



In cases where the valve is installed in an underground chamber, the top cover valve must have a breather tube whose diameter is equal to or greater than the air valve. The mouth of the breather tube must be equipped with a screen to prevent animals or objects from getting in.

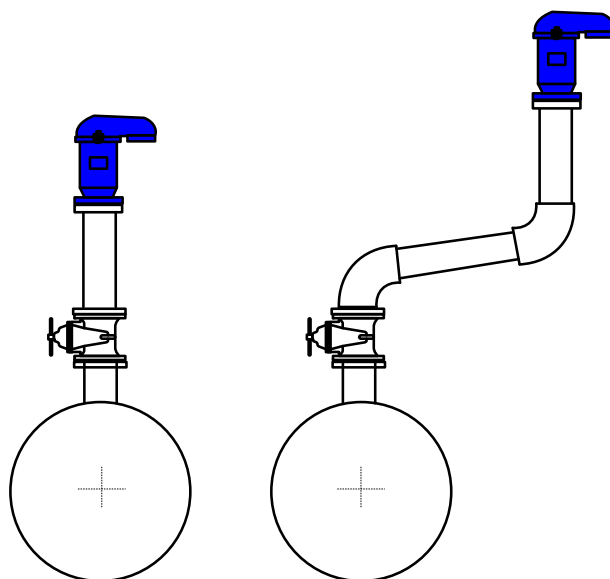


CORRECT

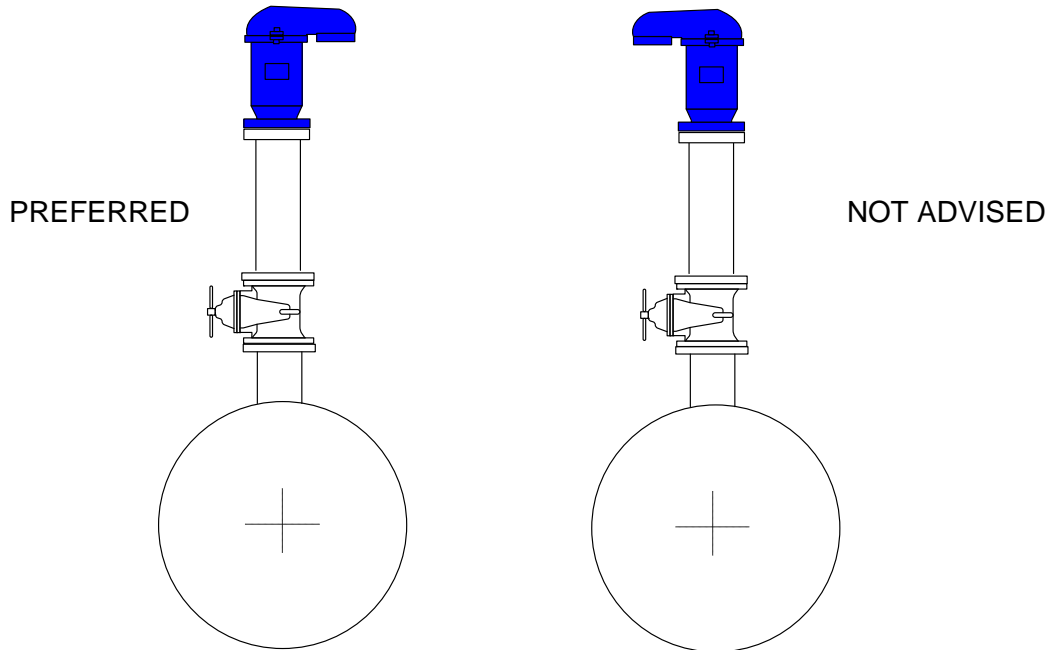


INCORRECT

The valve may be installed in line with the piping, or offset. In areas with very low temperatures, choose the first option to make better use of the thermodynamic effect of the water. If the second option is chosen, the connection pipe must be slightly sloped to make use of its aerodynamic effect.

BOTH
CORRECT

While the pipe is filling and just before the kinetic float closes, it is normal for some water to escape along with the air ("blow-up"). For this reason, it is recommended that the discharge port be located away from the shutoff valve's wheel or lever.



For newer models of DAV-MH valves (up to 6" \ 150mm) and DAV-MS valves (up to 8" \ 200mm), the discharge port can be equipped with a drain tube to direct the water that might possibly be discharged along with the air. This tube must be of the same diameter or greater than the valve's kinetic orifice size. It must be rigid; do not use flexible hoses that could collapse.

