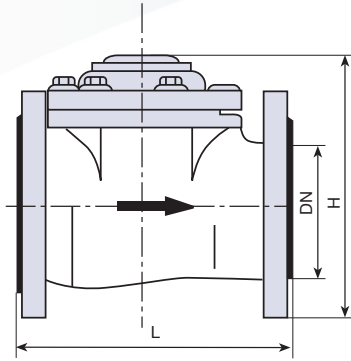


Turbine Water Meter

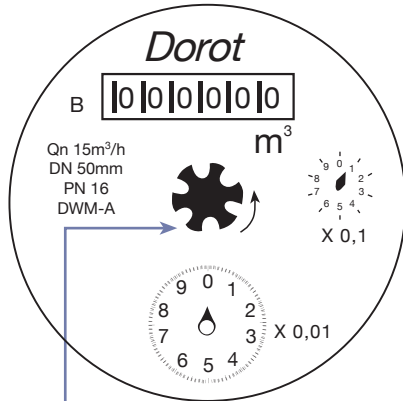


Dimensions

Size DN	inch	2"	2 1/2"	3"	4"	5"	6"	8"	10"	12"	16"	20"
	mm	50	65	80	100	125	150	200	250	300	400	500
L-Length	mm	310 200	310 200	225	250	250	300	350	450	500	600	800
H-Height	mm	256	256	276	286	286	345	373	493	516	631	739
Weight	kg	12	13	16	18	20	42	64	94	114	199	340

Performance data

Size DN	inch	2"	2 1/2"	3"	4"	5"	6"	8"	10"	12"	16"	20"
	mm	50	65	80	100	125	150	200	250	300	400	500
Nominal Flow Rate Qn (m³/h) (±2%)		15	25	40	60	100	150	250	400	600	1000	1500
Max. Flow Rate Qmax (m³/h) (±2%)		30	50	80	120	250	300	500	800	1200	2000	3000
Transition Flow Rate Qt (m³/h) (±2%)		3	5	8	12	20	30	50	80	120	200	300
Min. Flow Rate Qmin (m³/h) (±5%)		0.45	0.7	1.2	1.8	3	4.5	7.5	12	18	30	45
Max. Register Capacity (m³)		999999	999999	999999	999999	999999	999999	999999	999999	999999	999999	999999
Min. Reading Unit (m³)		0.01	0.01	0.01	0.01	0.01	0.1	0.1	1	1	1	1



Flow Sensor

A small rotating "star" in the center of the dial plate helps to detect even the smallest flow through the meter.

How to Order

Model	Optional	Diameter	Flange Standard	*Outputs
DWM	AF - Standard (with preparation for Electrical Output) AE - With Electrical Output AH - Hot Water AQ - Hot Water with Electrical Output	2" - 20" 50mm - 500mm	ISO PN16 ANSI 125 BSTD JIS 10 ABNT PN16	V - Volume (Electrical) F - Flow (Optical)

* V - for Volume electrical out put (reed switch)

* F - for Flow rate out put (optical)